



ZARA LED

BE BRIGHTER BE SAFER LAST LONGER

LED Wall pack Flood Light Specification



Applications: workshop, station, square, advertisement board, parking lot.

1. Lamp Specification

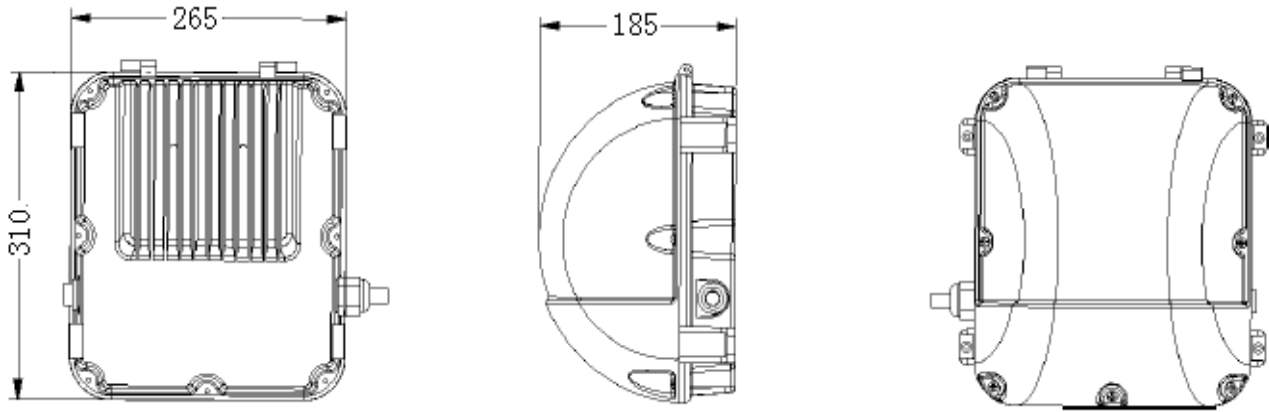
ITEM	30W	50W
Input Voltage Range	90-277VAC	
Frequency Range	47Hz~63Hz	
Power Factor	>0.98	
Lamp Consumption	29W ~ 32W	49~52W
Led Luminous Efficiency	>120Lm/W	
Color Temperature	Detail information refer to above LED parameters table	
Color Rendering Index	Ra>80	
Beam angle	120°	
LED Junction Temperature	70°C	
Working Temperature	-25°C ~ +50°C	
Working Life-span	>50000Hrs	
IP Rating	IP65 waterproof	
Certificate	UL&CUL , DLC, FCC , CE RoHS	
Power cable	UL SJTW 3G18AWG	
Warranty	5 years	

2. LED Parameters table

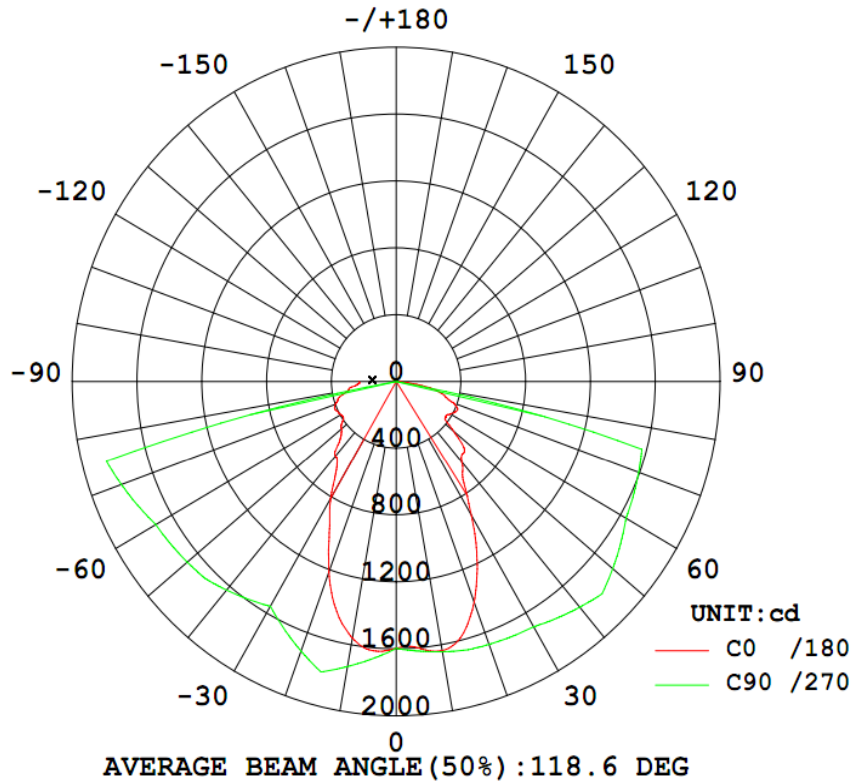
Item	Test condition	30W	50W	Unit	
Rated Current	/	0.95	1.6	A	
Forward Voltage	IF=0.16~0.17	31	31	V	
Color temperature	Warm White	IF=0.16~0.17	2700~ 3300		K
	Pure White	IF=0.16~0.17	4000 ~4500		K
	White	IF=0.16~0.17	5000~ 5500/ 5700K		K
	Cool White	IF=0.16~0.17	6000~ 6500		K
Normal Working Junction Temp	IF=0.16~0.17	69		°C	
LED Luminous Efficiency	IF=0.16~0.17	110~120		Lm/W	

3.Lamp Size

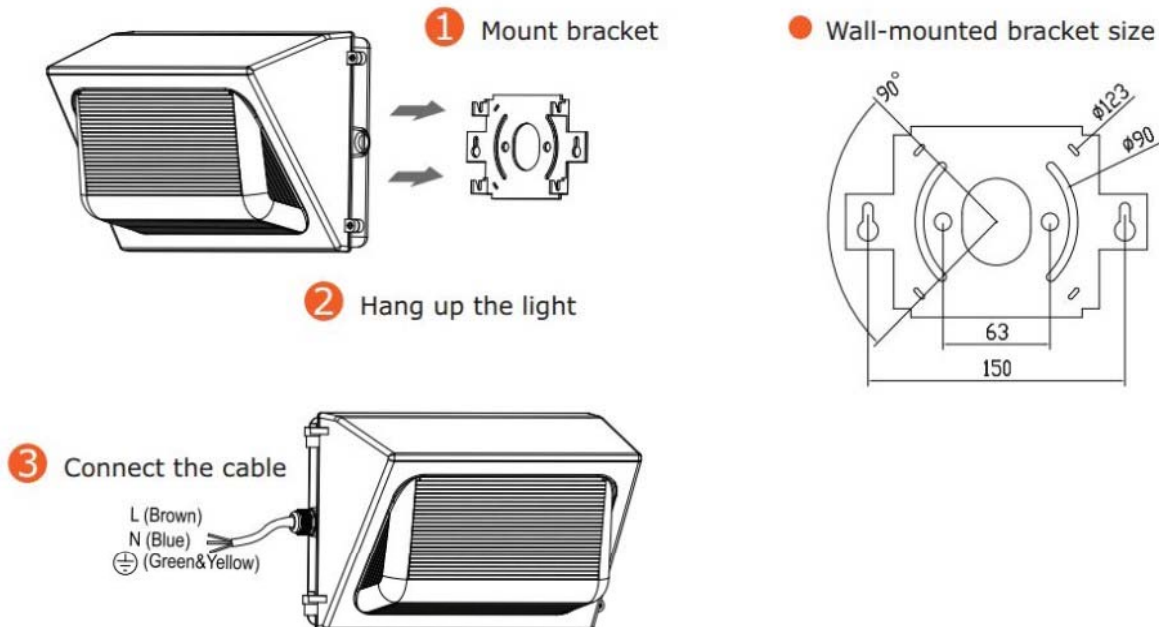
310 * 265 * 185mm

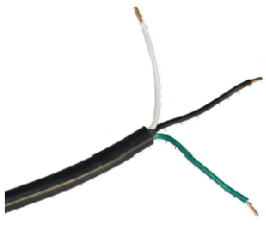


4. Distribution curve



5.LED Flood light Installation diagram





The white line is "N", the black line is "L", the green line is "Ground".

6. Package

Net Weight

4.2KG/PC

1pc/carton

5.4KG/ CTN,39 X 33 X26CM

Contact

Add- 5755 Bonhomme Rd #412, Houston, TX 77036

Tel- 281-840-8608

Email- info@zaraled.com