

IP65 LED Tri-proof Light



Features

1. IP65 with waterproof, dustproof and anti-corrosion
2. High light source efficiency and constant current output design, greatly extends the lighting fixture's lifespan.
3. Integrated streamline light source structure makes the light even and soft
4. Anti seismic materials and damping structure
5. Perfect heat dissipation and low temperature design
6. Multifunctions optional: Emergency, Dimming (Triac Dimming & 0-10V Dimming), Microwave sensor function, Linkable functions, Microwave Sensor with emergency function, Dimming with emergency function and Microwave Sensor with dimmable function.

Product Advantages

<p>All-in-One streamline body</p>	<p>Patent design linear body</p>	<p>IP65 waterproof</p>
<p>Waterproof silicon rubber sealing ring</p>	<p>Using SMD2835 as light source</p>	<p>stainless mounted clips</p>

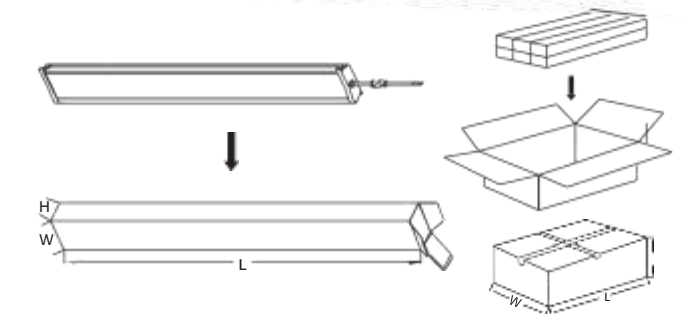


Surface Mounted Installation Packing Details

Drill 8mm cutting holes, put plastic plug and lock the clips on the ceiling with self-taping screws.

Put the lamp into the clips properly.

Connect to the power with AC85-265V.



Suspended Type Installation

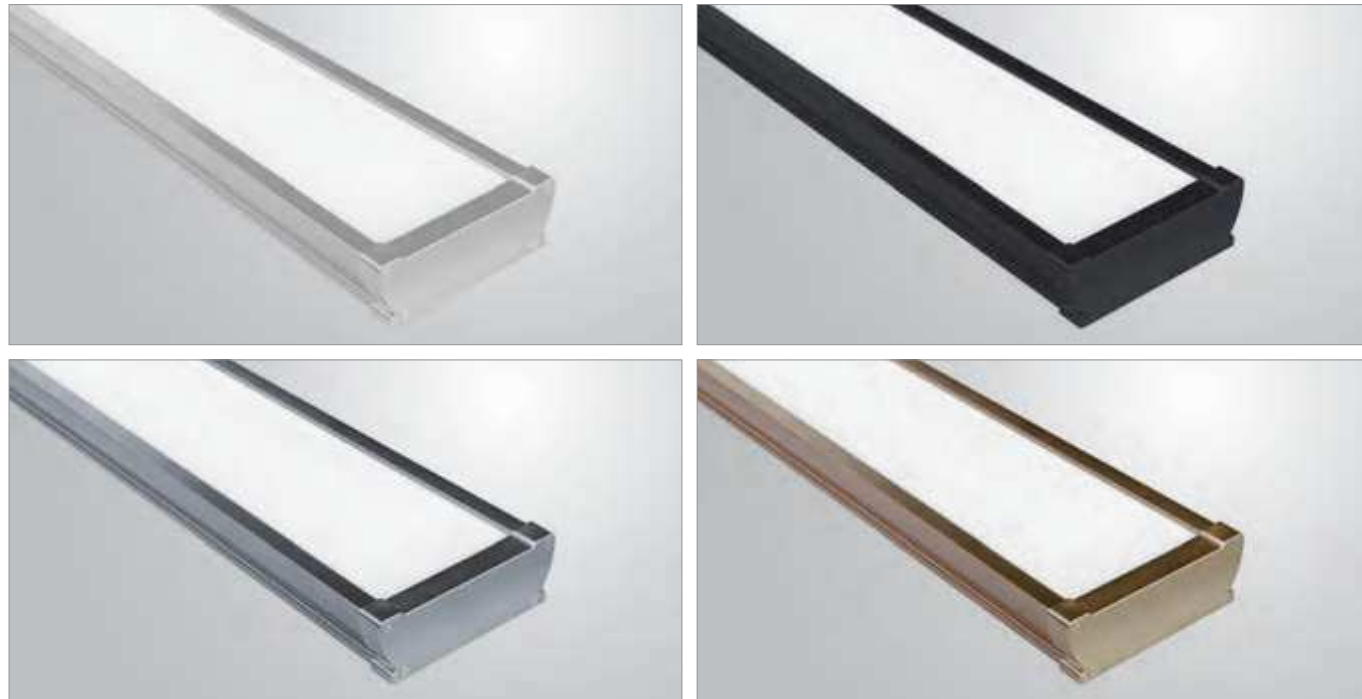
Drill 8mm cutting holes, put plastic plug and lock the clips on the ceiling with self-taping screws.

Hang the lamp with lifting role and clip and then connect to the power with AC85-265V.

40-60W Packing Details

Model No.	GW/pcs	Qtys/Ctn	GW/Ctn	Innerbox Size	Cmbox Size
XP-PL3040	2.5kg	6pcs	16.5kg	125*13.5*4.8cm	132.2*28.5*16.1cm
XP-PL3050	3.2kg	6pcs	20kg	155*13.5*4.8cm	132.2*28.5*16.1cm
XP-PL3060	3.2kg	6pcs	20kg	155*13.5*4.8cm	162.2*28.5*16.1cm

IP65 LED Tri-proof Light



Specifications for 40w-60w:

Model No.	XP-PL3040	XP-PL3050	XP-PL3060
Power	40W	50W	60W
Product Size	1200*124*43mm	1500*124*43mm	1500*124*43mm
LED Chip	SMD2835	SMD2835	SMD2835
Input Voltage	AC100-277V	AC100-277V	AC100-277V
Frequency	50/60Hz	50/60Hz	50/60Hz
PF	0.9	0.9	0.9
LED Qty	240pcs	336pcs	480pcs
Efficiency	110lm/w	110lm/w	110lm/w
LED Luminous Flux	4400lm(CW)	5500lm(CW)	6600lm(CW)
	4360lm(NW)	5460lm(NW)	6560lm(NW)
	4300lm(WW)	5400lm(WW)	6500lm(WW)
CCT	5800-6100K(CW), 4000-4200K(NW), 3000-3150K(WW)		
CRI	Ra>80		
LED Node Temperature	55°		
Operation Ambient Temperature	-20-45°		
Storage Temperature	-25-50°		
IP Grade	IP65		
Color Tolerance Adjustment	5SDCM		
LED Lifespan	50,000Hours		
Power Supply	Build-in		
Beam Angle	120°		
Housing color optional: White / Black / Silver / Gold			
Installation Available: Surface mouted installations & Suspended installations			
Certificates: UL&DLC&TUV & RoHS & SAA & PSE			

IP65 LED Tri-proof Light Multi Functions Series

Specifications

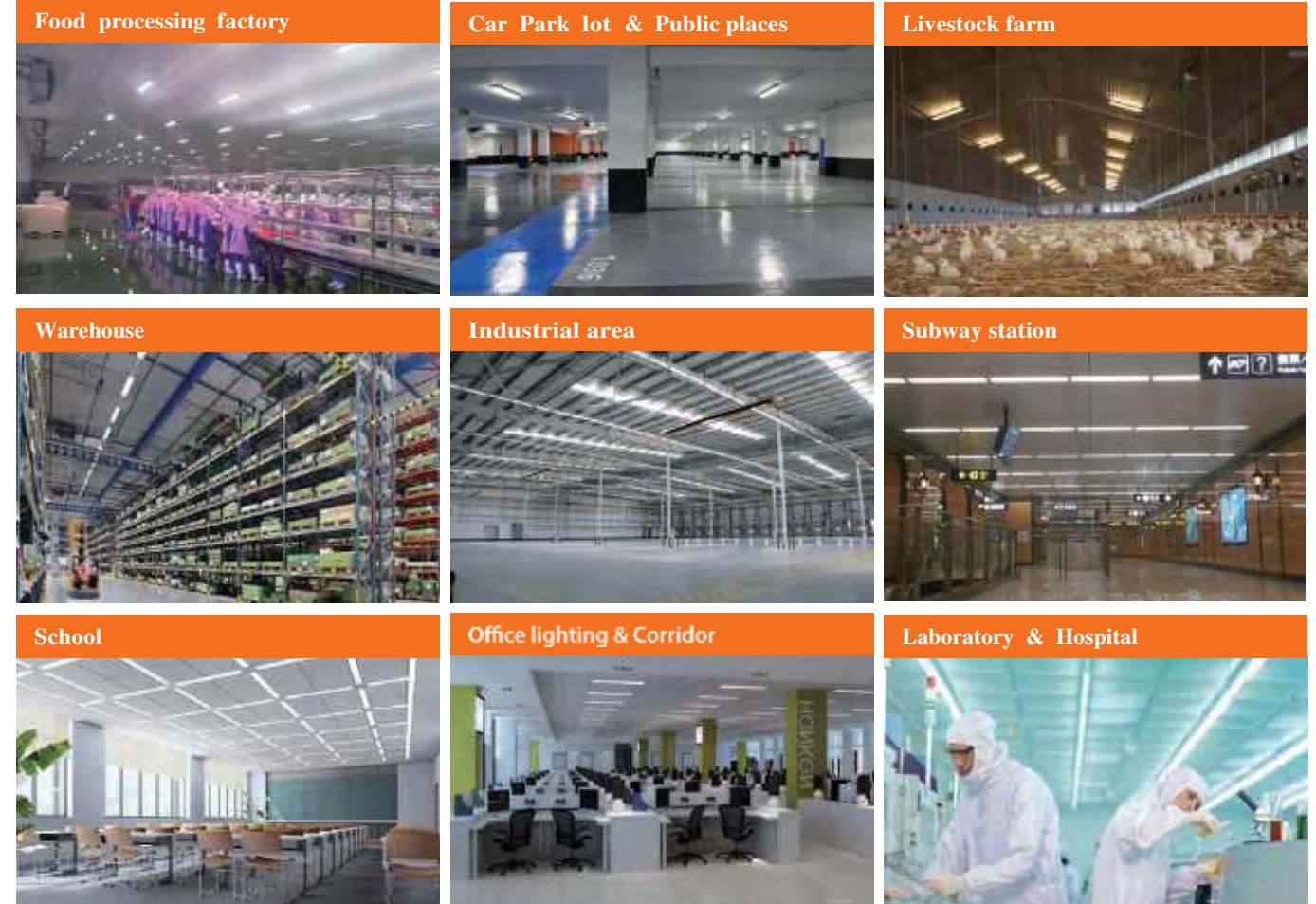
Emergency function	Battery wroking time: 3hours, with over-charge and over-discharge protection, with indicator and emergency test button
Cable Linked function	Each light has two male connectors, with female connection cable, can be connected in a line
Gapless Linked function	Lights can be linked without distance
Dimming function	0-10V & Triac & Dili dimming function
Track linear function	Lights can be put into track directly
Microwave sensor function	Microwave sensor function
Sensor+ Emergency	Microwave sensor function+Emergency function
Dimming + Emergency	Triac dimmable function + Emergency function



Picture Shows



Applications:



Certifications UL & CUL & DLC



5755 Bonhomme Road 412, Houston, TX 77036, United States

Phone: +1 281-840-8608

www.zaraled.com