

ZARALED 120W

■ Product Pictures



- Philips Lumileds LED, high luminous efficiency and long working life.
- High efficiency LED Driver, the wide range input voltage AC100-277V.
- Cast aluminium cooling design better cooling, better cooling, light quality, LED Tj < 85°C.
- Excellent Optics design, greatly improve the light utilization and evenness.
- **Photocell Control Available (Option)**

■ Product Applications

ZARA LED WALL PACK Lighting series can be widely used in indoor or outdoor lighting (Wet location) , like mechanical or electronic processing workshops, storage warehouses, steel mills, gas stations, toll booth, waiting rooms, the platforms of railway station , indoor stadiums and flower cultivating tents etc.

PHILIPS
LUMILEDS

5 YEAR
WARRANTY



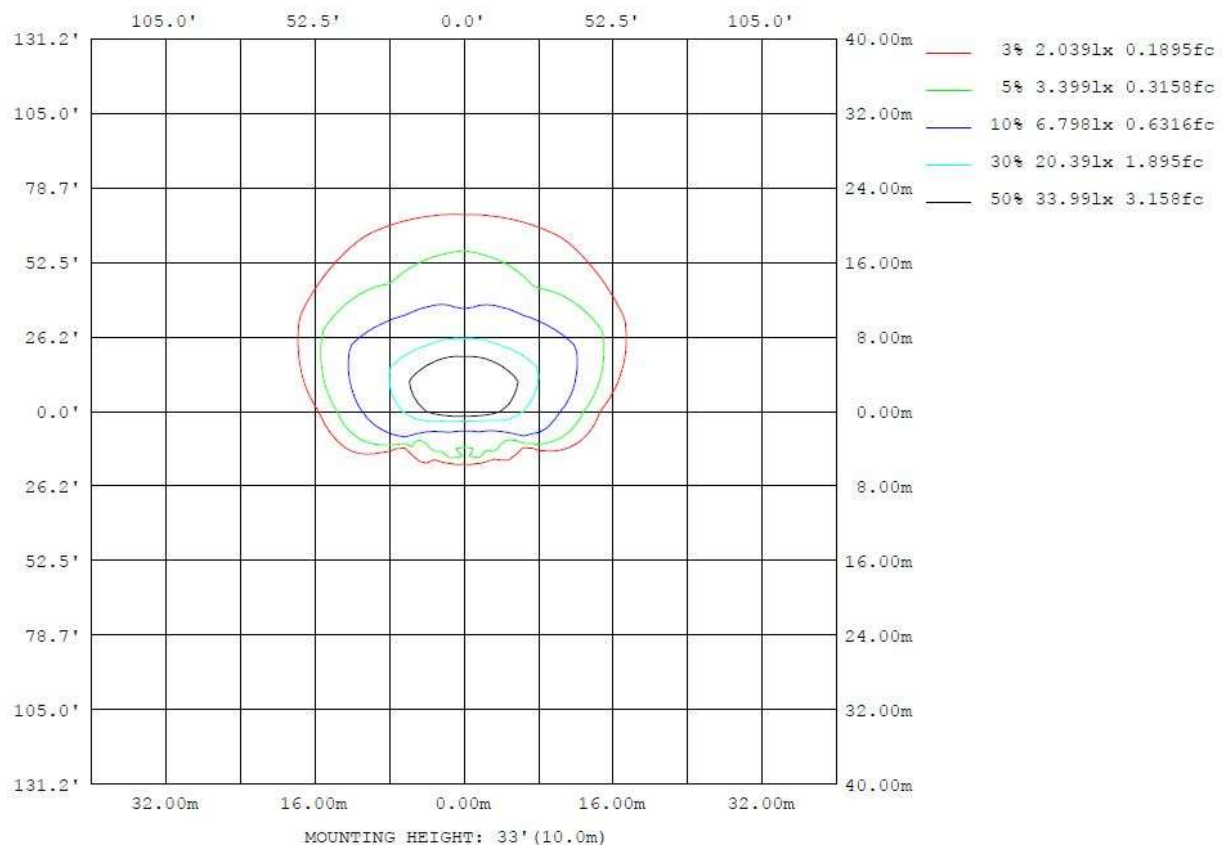
■ Structure Features

- **Shell materials: Aluminum & PC .**
- **Color: Dark Bronze**
- **Net weight: 6.30Kg** Unit: mm
- **Packing Size: 410mm*290mm*330mm**

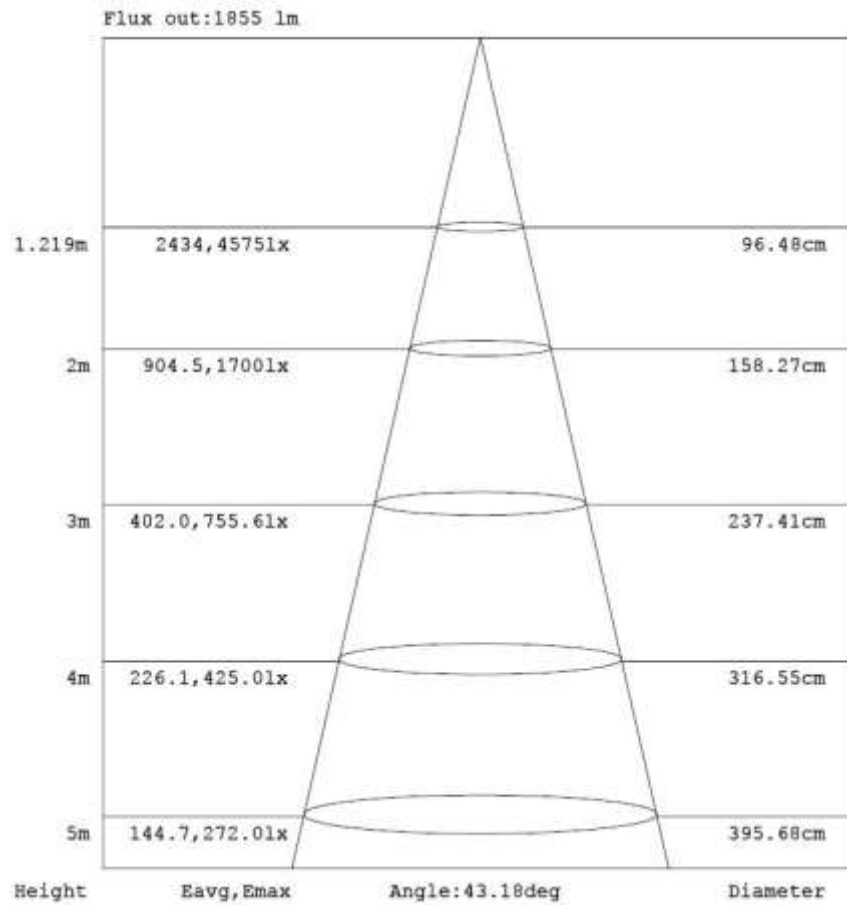
ZARALED 120W

Type	ZL-HWP10W27-XXK		
Power	120W	Lighting Angle	60*90°
Input Voltage	AC100-277V	LED Brightness Decay	<5%/6000 hrs
PF	>0.95	Working Life	>50000 hrs
Driver Efficiency	>90%	Working Temperature	-30 - +45°C
Luminous Flux	13200 Lm	Storage Temperature	-40 -+80°C
Color Temperature	6500K	Protection Level	Wet Location/IP65
CRI	Ra>80	Cable	3 core, 18AWG(1.5m)

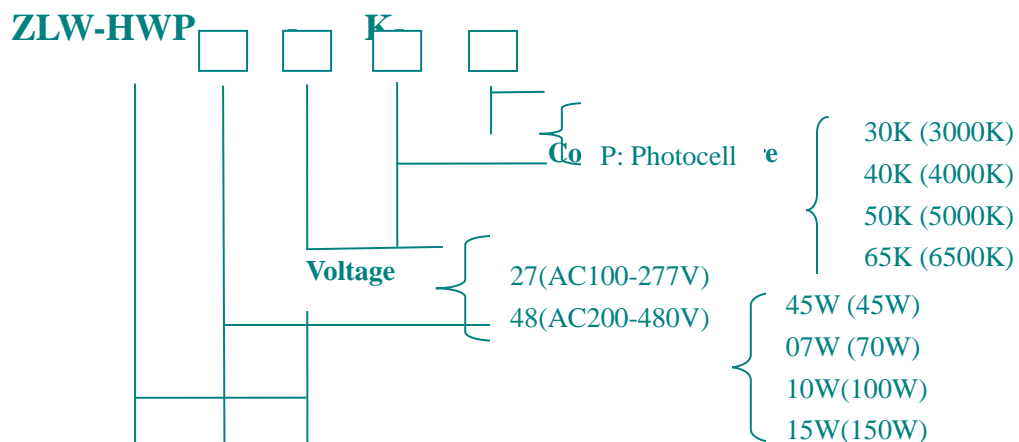
■ Light Distribution Curve (Clear Lens)



ZARALED 120W



Product Identification



Product Certifications

ZARALED 120W



■ Contact Us:

ZARA LED, LLC HOUSTON

Tel: 1-281-840-8608 Fax: 1-281-840-4466

Email: sales@zaraled.com Website: www.zaraled.com

Address: 5755 Bonhomme , Suite 412, Houston, Texas 77036