

A-WALL PACK/AREA LIGHT

Versatile LED Wall Pack Small fixture light with a 125 lumen per watt plus output is one of the most cost effective wall light/area light on the market today. Comes standard with 10w-30w comes standard 1-10v dimmable.



Technical Parameters

Fixture housing	Aluminum + PC Lens
Fixture Color	Black (standart) , White
Mounting Type	Wall mount
Application projects	Gate, outdoor walls, Parking area, Corridors, Security etc.
Certificates	Approved UL&CUL, FCC, CE, RoHS
Warranty	5 Years

Electrical Parameters

ITEM	10W 20W 30W
Power Consumption	11W 21W 32W
LED Source	PHILIPS SMD3030 LED
Input Voltage Range	100-277VAC
Frequency Range	50/60Hz
Power Factor	>0.95
THD	<12%
Power line	UL SJTW 3G18AWG

A-WALL PACK/AREA LIGHT

Versatile LED Wall Pack Small fixture light with a 125 lumen per watt plus output is one of the most cost effective wall light/area light on the market today. Comes standard with 10w-30w comes standard 1-10v dimmable.

Optical & Efficiency Parameters

Beam Angle	Type V (120°)
Color Temperature	2700K--3200K, 4000K-4500K, 5000K-5500K, 5700K, 6000K-6500K
Lumen Efficiency	>125LM/W
Lumen Output	10W= 1250lm, 20W= 2500lm, 30W=3750lm
Color Rendering Index	CRI> 80Ra
IP Rating	IP65
IK Level	IK08
LED JT	< 69°C
Working Temperature	-25°C ~ +50°C
Humidity	10%~90%RH
Life-span (L70)	>50,000Hrs

Options

PIR motion sensor/ Microwave motion sensor
 Photocell Sensor (100-277VAC only)
 Finish color: Black/ Bronze/ White
 1-10V Dimmable is optional

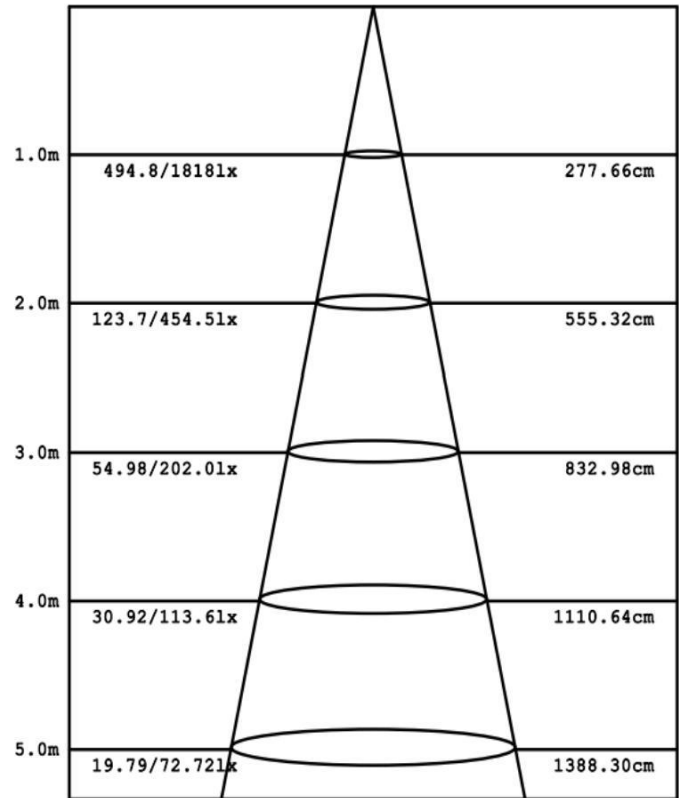
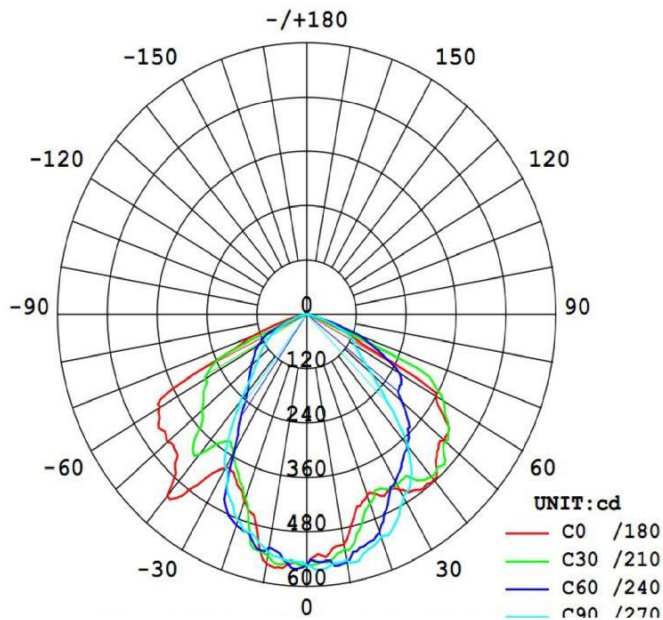
Advantages

- ◆ Using high quality 3030 chips, LM-80 report and IES data available.
- ◆ High quality Aluminum Fixture, professional cooling design, better cooling LED Tj < 69°C.
- ◆ Optional 1-10V dimmable, motion sensor functions
- ◆ Versatile- Flood or parking area, security etc. lighting projects
- ◆ Special thermal design, reduce fixture weight and ensure good heat dissipation, lower luminous decay to extend life span of the leds.
- ◆ Environment friendly, no UV, no IR, no mercury or other hazardous substances
- ◆ Silicone rubber seal, moisture, high temperature.
- ◆ 5 years warranty
- ◆ Complete with a 10KA surge protector (100-277V) and 347V has built in input Surge protection 4KV line-line, 6KV line- earth.

A-WALL PACK/AREA LIGHT

Versatile LED Wall Pack Small fixture light with a 125 lumen per watt plus output is one of the most cost effective wall light/area light on the market today. Comes standard with 10w-30w comes standard 1-10v dimmable.

Optical and Photometrics



Product Code Guide

ITEM CODE	WATTAGE	CCT	VOLTAGE	Series
FL02-WALLPACK-SMALL	10W	30K-3000K	110V	A
	20W	40K-4000K	120V	
	30W	50K-5000K	277V	
		55K-5500K	100-277V	
		60K-6000K	347V	
		65K-6500K		

FL02 - 10w/ 20w/ 30W -40K/ 50K - 120V/ 347V - A

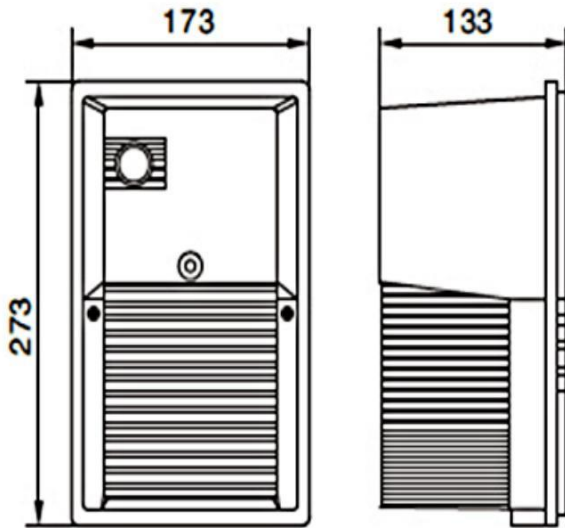
Item code Watts CCT Voltage Wallpack A type

Example: FL02-10W-40K-120-A (Wallpack-Small , 10W, CCT 4000K, 120VAC, A Type)

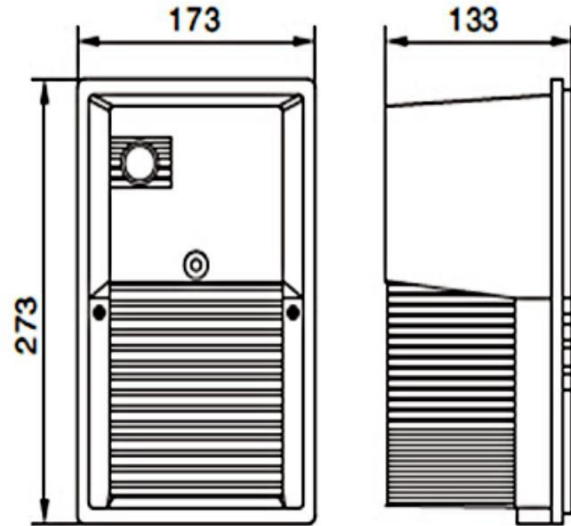
A-WALL PACK/AREA LIGHT

Versatile LED Wall Pack Small fixture light with a 125 lumen per watt plus output is one of the most cost effective wall light/area light on the market today. Comes standard with 10w-30w comes standard 1-10v dimmable.

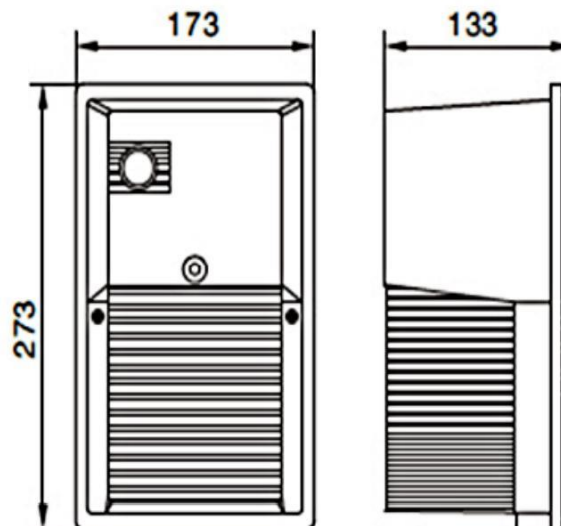
Fixture Dimensions



10W Wallpack Fixture



20W Wallpack Fixture



30W Wallpack Fixture

A-WALL PACK/AREA LIGHT

Versatile LED Wall Pack Small fixture light with a 125 lumen per watt plus output is one of the most cost effective wall light/area light on the market today. Comes standard with 10w-30w comes standard 1-10v dimmable.

Photocell Sensor Parameters



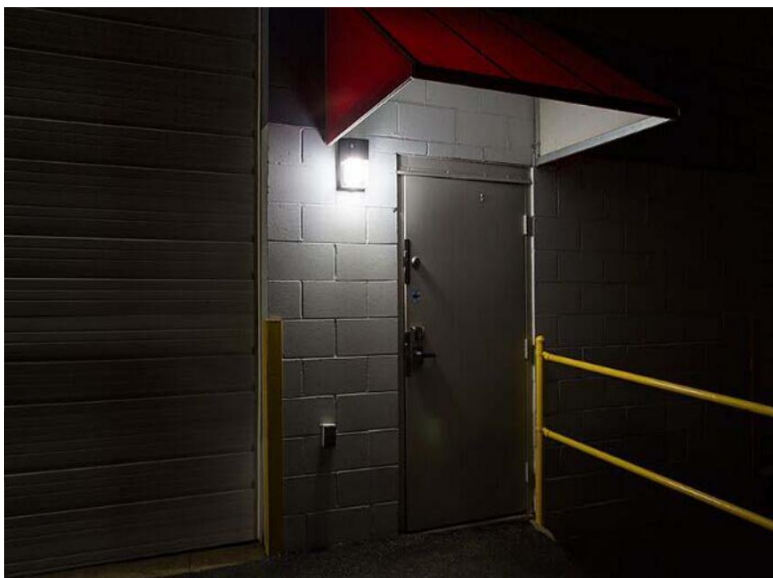
Input Voltage: 100-277VAC

Frequency Range: 50/60Hz

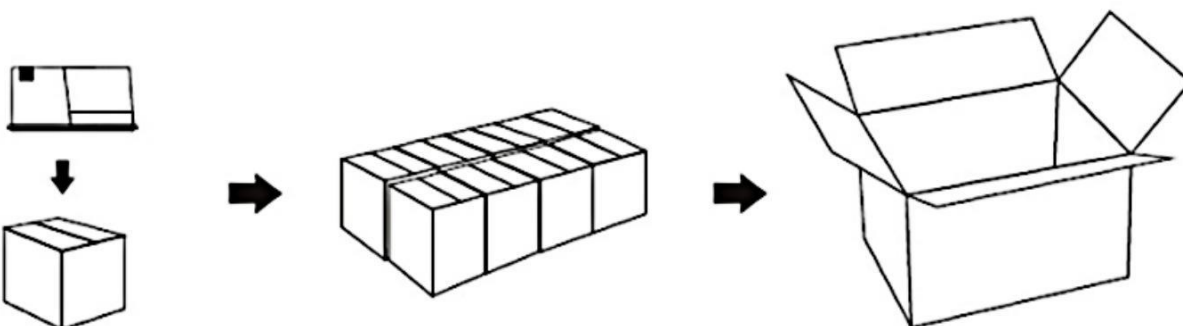
On-Off Levels: 10~20Lux On (Dusk)/ 30~60Lux Off (Dawn)

Time-delay for Luminaries Protection: 30s ~ 60s

Applications



Packing Details



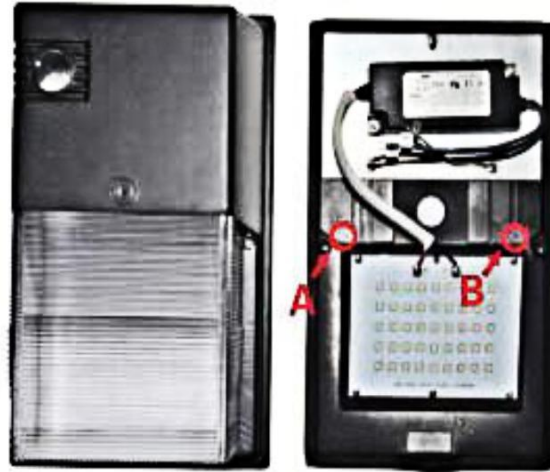
A-WALL PACK/AREA LIGHT

Versatile LED Wall Pack Small fixture light with a 125 lumen per watt plus output is one of the most cost effective wall light/area light on the market today. Comes standard with 10w-30w comes standard 1-10v dimmable.

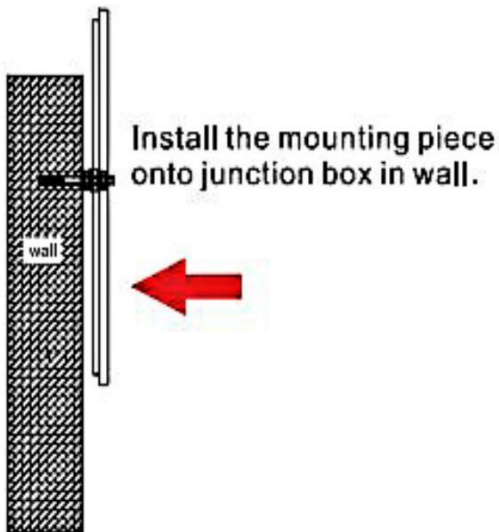
Mounting Instructions



The mounting piece is removable by unscrewing from red points.



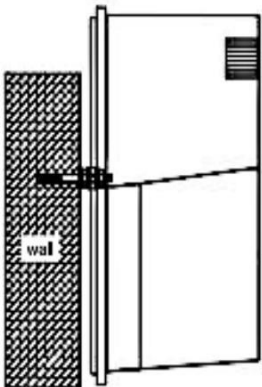
Mounting piece with universal mounting holes for different types of junction boxes 3/4" outlet (A,B,C) for photocell or conduit installation.



Install the mounting piece onto junction box in wall.



Connect the input cable.
(Perform in case of power failure.)



place the lamp cover onto the lamp housing and tighten the screws.
Installation completed.