

60W LED LOW BAY LIGHT

Product Features



- High luminous efficiency and long life.
- MEAN WELL High efficiency LED Driver, the wide range input voltage AC100-277V;
- Fins cooling design, better cooling, light quality, LED $T_j < 85^{\circ}\text{C}$.
- Excellent optical design, greatly improved the light utilization and evenness.
- Dimmable Control gear, Energy-saving, convenient and user-friendly

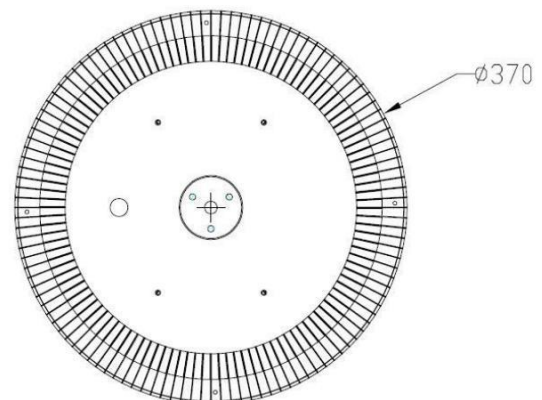
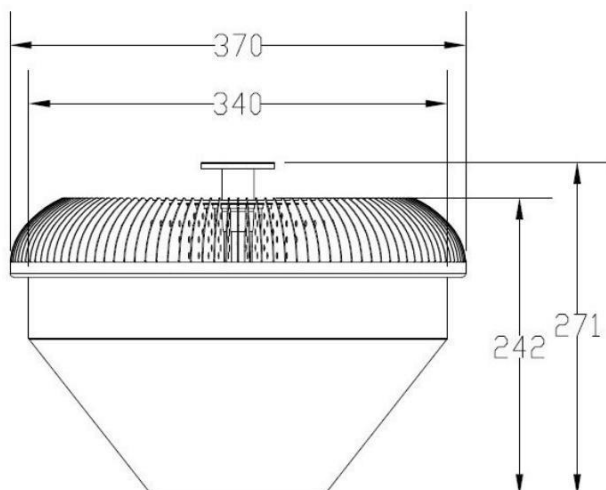
Product Applications

ZARA LED Low Bay Light series can be widely used in indoor or half outdoor lighting, like Indoor parking, mechanical or electronic processing workshops, storage warehouses, steel mills, gas stations, toll booth, waiting rooms, the platforms of railway station etc.

Structure Features

- **Shell materials:** 1070 Aluminum & PC
- **Color:** Black or White
- **Net weight:** 3.0Kg

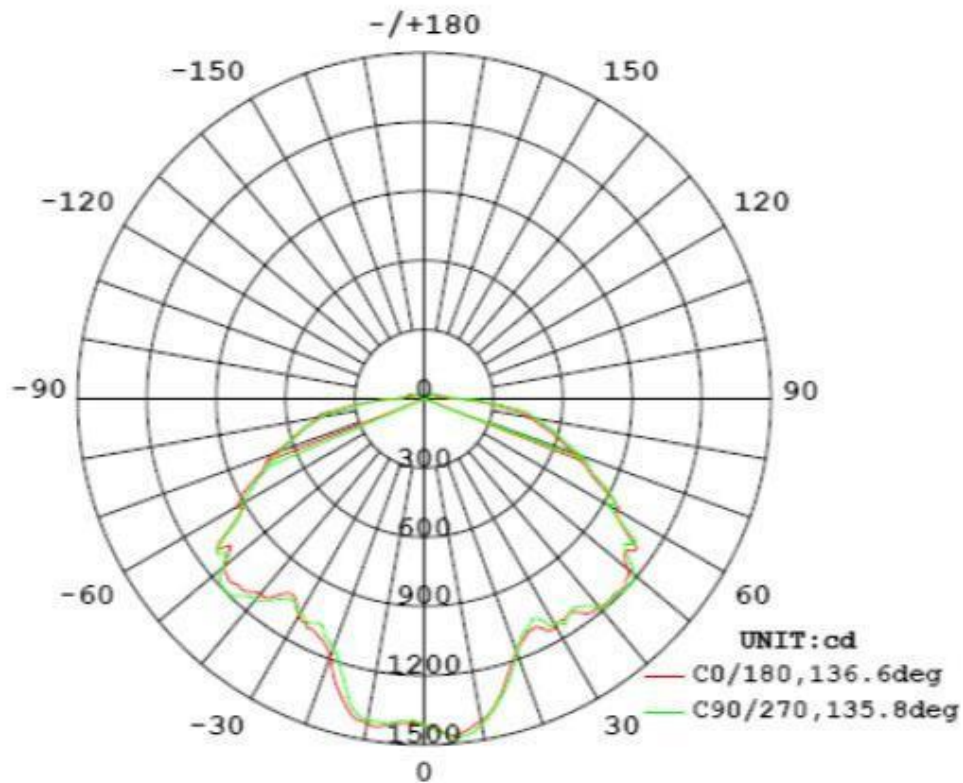
Unit: mm



■ Technical Parameter

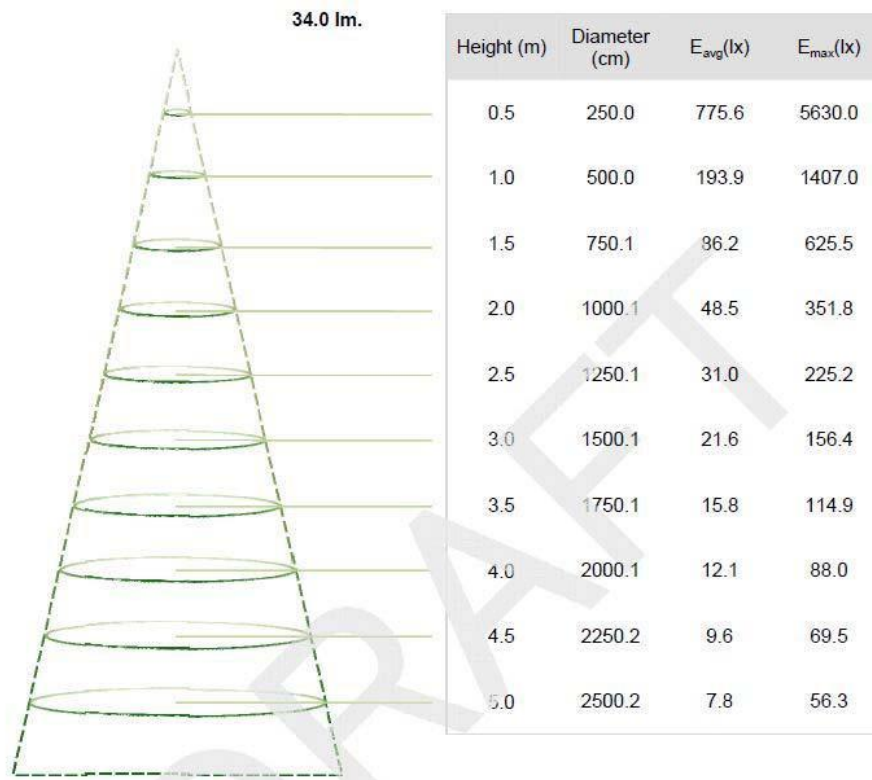
Type	ZARA-LB06W27-xxK		
Power	60W	Lighting Angle	136°
Input Voltage	AC100-277V	LED Brightness Decay	<5%/6000 hrs
PF	>0.99	Working Life	>50000 hrs
Driver Efficiency	>90%	Working Temperature	-30 - +40°C
Luminous Flux	5311Lm	Storage Temperature	-40 -+80°C
Color Temperature	5000K	Protection Level	Damp Location/IP54
CRI	Ra>85	Cable	3 core, 18AWG

■ Photometry



	C0/180	C45/225	C90/270	C135/315	AVG.
Beam Angle (50% I _{max}):	136.6	136.7	135.8	136.5	136.40
Field Angle (10% I _{max}):	179.8	180.1	180.0	180.2	180.03

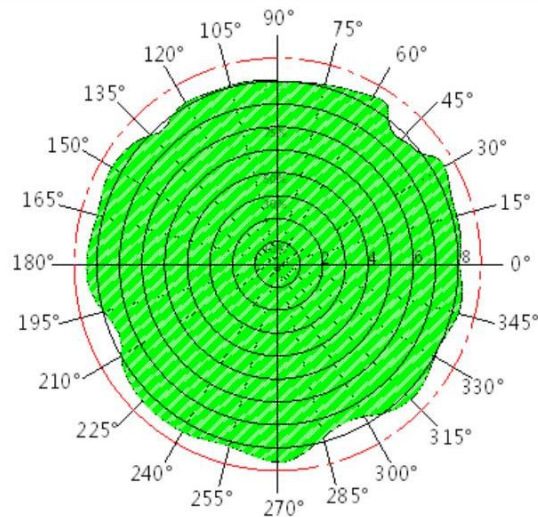
■ Illuminance at a Distance:



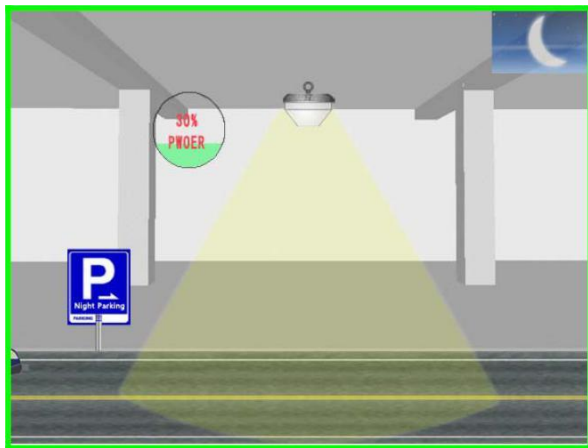
■ Technical Parameter(Dimmable Control Gear)

Type	ZARA-LB06W27-xxK-D		
Power	60W	Lighting Angle	136°
Input Voltage	AC100-277V	LED Brightness Decay	<5%/6000 hrs
PF	>0.99	Working Life	>50000 hrs
Driver Efficiency	>90%	Working Temperature	-30 - +40°C
Luminous Flux	5311Lm	Storage Temperature	-40 -+80°C
Color Temperature	5000K	Protection Level	Damp Location/IP54
CRI	Ra>85	Cable	3 core, 18AWG(1.5m)
Control Gear Power	0.5/1W	Nominal Load	1000W
Installation Height	12m(MAX)	Induction distance	0.5-8m
Induction angle	≤170°	Time-delay	10s~30min

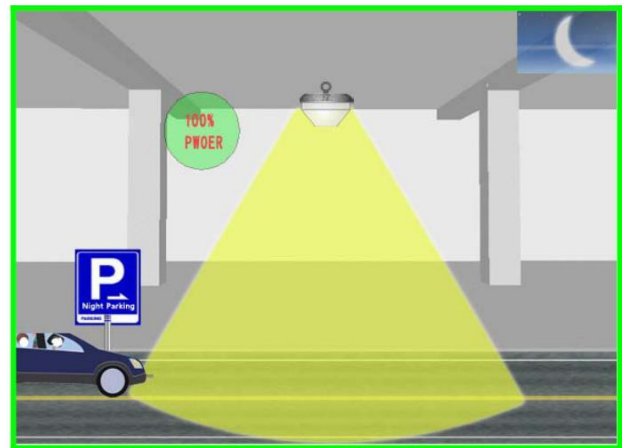
■ **Microwave radiation**



■ **Dimmable Control Instructions**



Model 1: Lights brightness keeps to be 30% (adjustable) when there is nobody



Model 2: When people enter the sensing area, all lights will turn on (100%)



Model 3 : Whole brightness will continue for a while after people leave



Mode 4: After a period people left (the period can be set), lighting brightness recover to 30%

▪ **Product packaging**

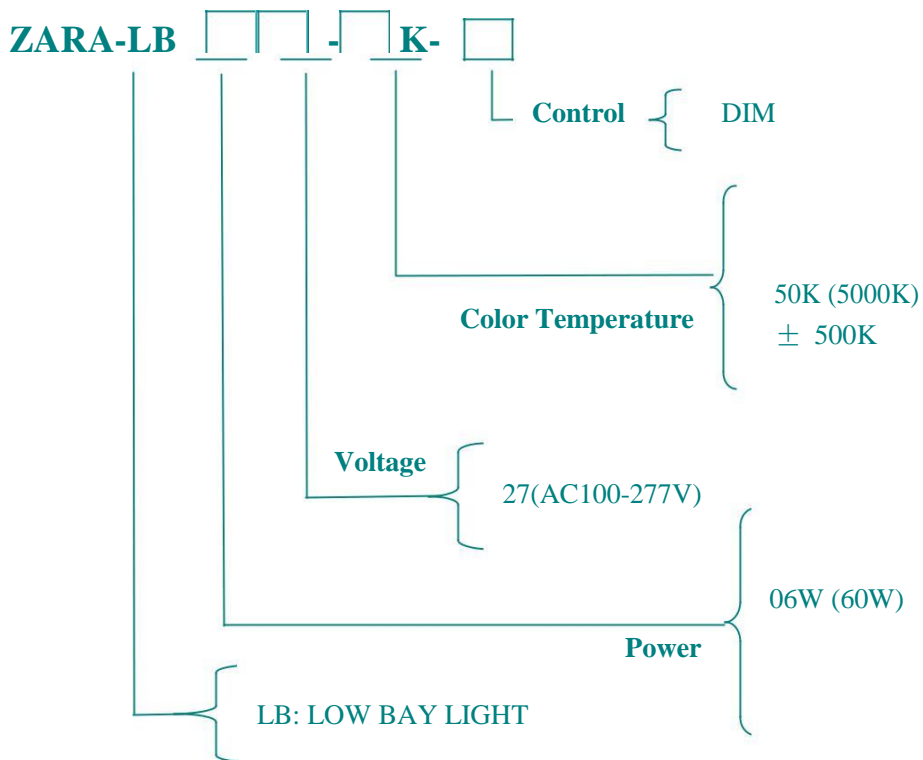
Package Size: L410mm×W410mm×H305mm

1 PCS

GW:6.00Kg



• **Product Identification**



▪ **Certification List:**



▪ **Contact Us:**



Email: info@zaraled.com | Tel- 281-840-8608
Address: 5755 Bonhomme Rd #412, Houston, TX 77036

