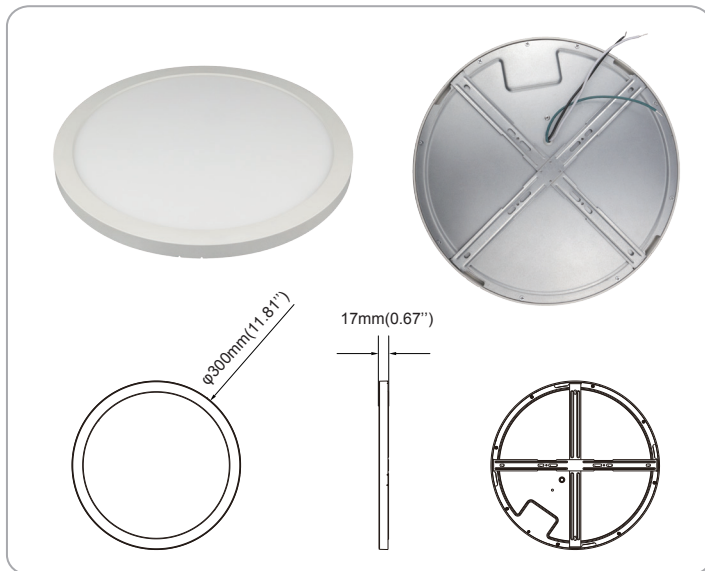


LED Round Panel Light



BL-RP5-10IN

Driver Info

Type:	Constant Current
120V:	Yes
277V:	N/A
480V:	N/A
Watts:	24W

LED Info

Color Temp:	5000K
Color Accuracy:	80CRI
L70 Lifespan:	30000
Lumens:	1950LM
Efficacy:	81.25LM/W

Suitable for damp location and operation in ambient not exceeding 40 °C(104 °F) Meets the general and decoration lighting environment such as:Office light, Restaurants,Hotels,Subway Stations,School and Hospital.Hallway and lobbies, Meeting rooms.

Color: White
Weight: 0.5kg (1.1 lbs)



Technical Specifications

Listings

ETL Listing:
4007551

IESNA LM-79 & IESNA LM-80 Testing:

This product has been tested by an independent laboratory in accordance with IESNA LM-79 and 80, and have received the Department of Energy" Lighting Facts" label.

Electrical

Driver:
UL Approved

THD:
<20%

Power Factor:
>0.9

Dimming Driver:

Driver includes dimming control wiring for Triac dimming systems, Requires separate Triac DC dimming circuit, Dims as low as 10%.

LED Characteristics

Lifespan:
30,000-hour LED lifespan based on IES LM-80 results and TM-21 calculations.

LEDs:
Long-life,high-efficiency SMD2835, patent free.

Color Stability:
Comply with Energy Star's requirements.

Color Uniformity
CCT(Correlated Color Temperature) follows the guidelines of the American National Standard for Specifications for the Chromaticity of Solid State Lighting(SSL) Products, ANSI C78.377-2015.

Construction

Cold Weather Starting:
Minimum starting temperature is -13°F(-25°C)

Maximum Ambient Temperature:
Suitable for use in 104°F(40°C) ambient Temperatures.

Housing:
Lightweight aluminum housing,steek pan and junction box

Lens:
Diffuse polystyrene

IP Rating:
Damp locations

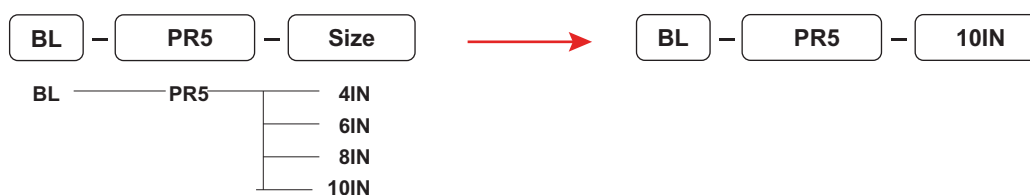
Finish:
Our environmentally friendly polyester powder coatings are formulated for high-durability and long-lasting color, and contain no VOC or toxic heavy metals.

Green Technology:
Mercury and UV-free. RoHS-compliant components.

Other

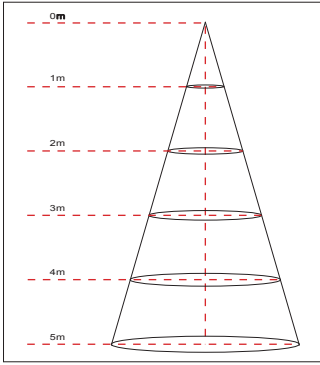
3 Yr Limited Warranty:
Fixture operation and paint finish are covered for a period of 3 years.

Order Information

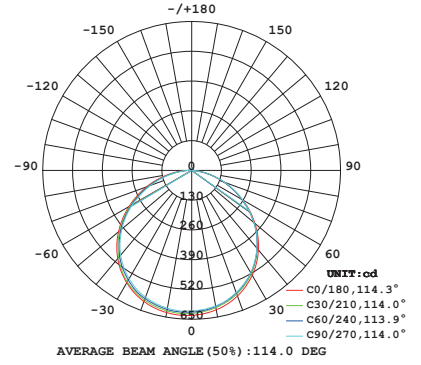


LED Round Panel Light

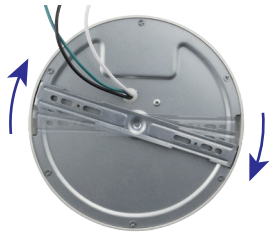
Lux Chart/Photometrics



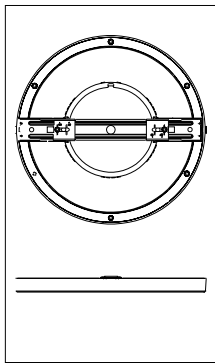
Height	Average Lux (lx)	Light range (dia.)
1M	633.4	297.15cm
2M	158.3	594.3cm
3M	70.37	891.45cm
4M	39.59	1188.59cm
5M	25.33	1485.74cm



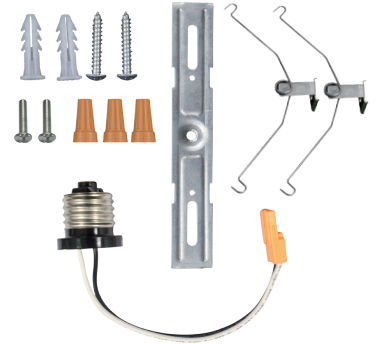
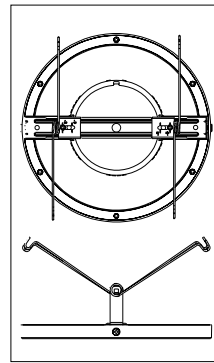
Surface Mounting With J-Box



twist to install,
no pins on side.

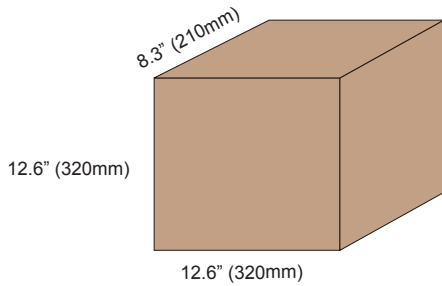


Recessed Can Retrofit



Packaging

10pcs/CTN Dimension: 12.6"L x 8.3"W x 12.6"H (320mmx210mmx320mm)



40'hq	30240 PCS
40'gp	26460 PCS
20'gp	12740 PCS