



TYPE D



TYPE C



NAME: LED Flood Light

P/N: AST-S-G04-300WXYB1

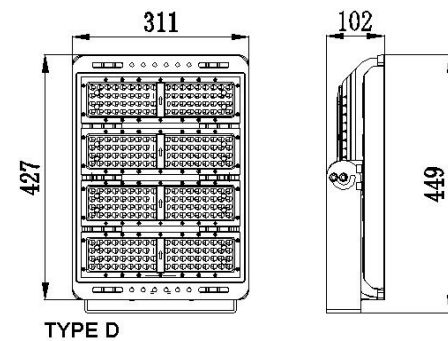
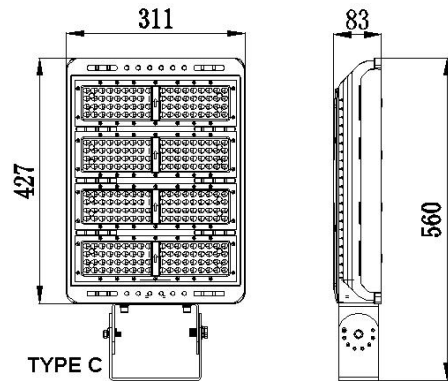
Note: Where "X" stands for LED manufacturer, could be any alphabet, Where "Y" can be "T1" to "T9", represents different Diffuser light angle type employed

Advantage:

- UL cUL certificate
- LUMILEDS Chip, high CRI
- Mean Well IP65 driver, input voltage 100-277VAC
- No UV or IR in the beam
- Easy to install and operate
- Energy saving, long lifespan
- Light is soft and uniform, safe to eyes
- Instant start, NO flickering, NO humming
- Green and eco-friendly without mercury.

Application:

- 1. Outdoor basketball court, tennis court.
- 2. Badminton court, the football field.
- 3. The school playground, stadium.
- 4. Community leisure entertainment plaza, road lamp etc.



Product Specifications

Product Name	LED Flood Light	
Light Type	AST-S-G04-300WXYB1	
Stent type	TYPE C	TYPE D
Dimension	560*311*83mm	449*311*102mm

Technical Characteristic

Color temperature	2700-6500K				
CRI	>70				
Lumen	33000-39000LM				
Lumen Efficacy	110-130 LM/W				
Input Power	300W				
Standard Viewing Angle	150*85 Degree (Type III)				
Optional Viewing Angle	40 Degree	60 Degree	90 Degree	150*75 Degree (Type II)	160 Degree (Type V)
Input Voltage	100-277V 50/60Hz				
Driver model	HLG-320H-48B (1-10Vdc Dimmer)				
PF	>0.9				
Waterproof Rating	IP65				

Materials

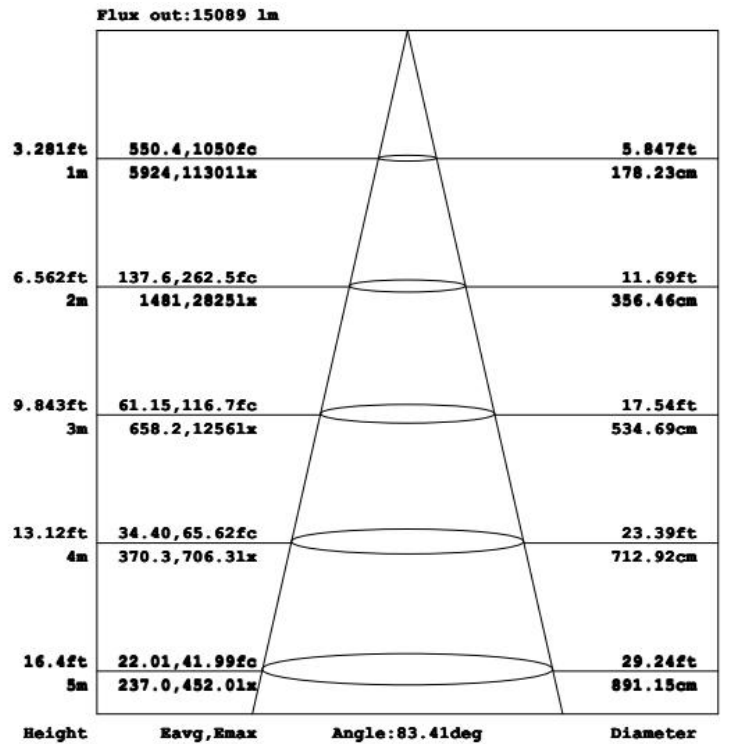
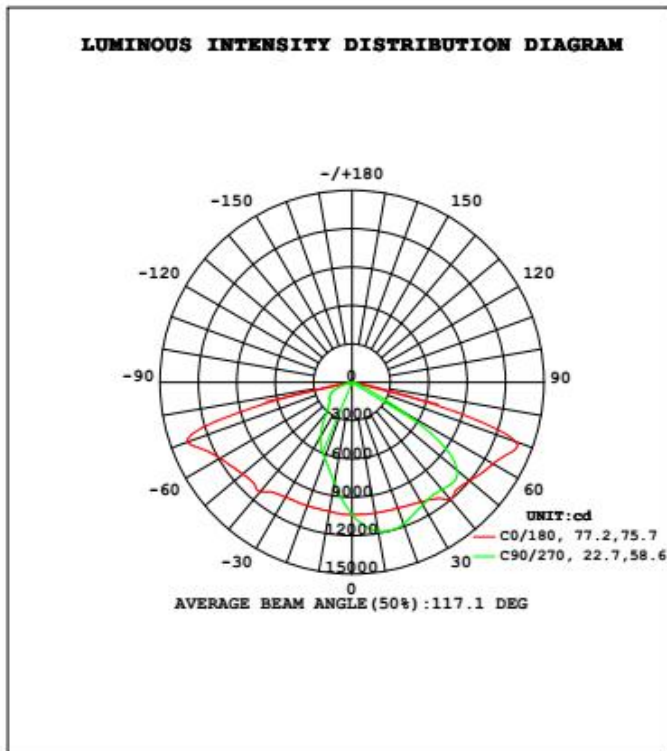
LED Brand	LUMILEDS
LED Type	LUXEON 3030 2D (1.5W)
LED QTY	280PCS
Housing	Aluminum Alloy
Housing color	Black
Optional Accessory	Photocell / Surge protector
Optional Stent	TYPE C / TYPE D
Operating Temperature	-40°C TO 45°C
Operating Humidity	10%-90% RH
Storage Temperature	-40°C TO 80°C

Others

Storage Humidity	10%-95%
Application	Outdoor
Safety Certification	UL、cUL
Warranty Time	5 Years

Light Distribution Testing Parameters

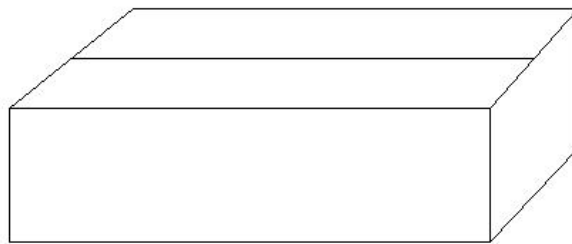
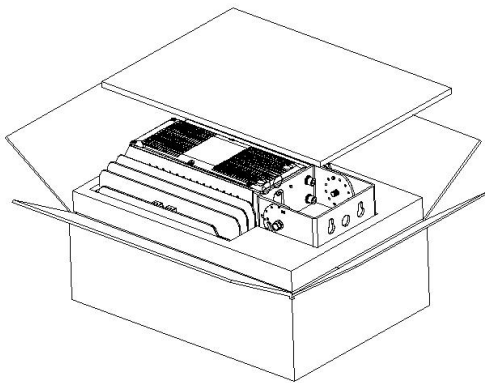
DATA OF LAMP		PHOTOMETRIC DATA Eff: 127.95 lm/W			
		I_{max} (cd)	18382	S/MH(C0/180)	1.63
NOMINAL POWER (W)	300	LOR (%)	100.0	S/MH(C90/270)	0.74
RATED VOLTAGE (V)	120	TOTAL FLUX (lm)	39390	η UP, DN (C0-180)	0.1, 67.3
NOMINAL FLUX (lm)	39390.4	CIE CLASS	DIRECT	η UP, DN (C180-360)	0.1, 32.5
LAMPS INSIDE	1	η up (%)	0.2	CIBSE SHR NOM	1.25
TEST VOLTAGE (V)	120.0	η down (%)	99.8	CIBSE SHR MAX	1.35



Note: The Curves indicate the illuminated area and the average illumination when the luminaire is at different distance.

Package

Stent type	Lamps Net Weight	Size	Qty/Carton	Weight/Carton
TYPE C	10.6 KG	710X360X155MM	1	11.7 KG
TYPE D	10.8 KG	500X360X155MM	1	11.8 KG



Notice For User

- ◆ Please turn off power before install or change assembly parts.
- ◆ The input voltage and lamps should be matched, after connecting the power line, Please make sure the wiring section is insulated.
- ◆ No-professionals, must not install and disassemble the lamps.

Trouble Shootings

Troubles	Check points
Flickering of the light	Turn off the power and turn on again in 3 minutes. If same phenomena occur, then call agencies
Out of working	Please check the connection