



ASmart LIGHT CO., LIMITED
 E-mail: sales@asmart-light.com
 www.asmart-light.com

P/N:AST-S300WCT3ZA1-aaK

Note:

AST= Company name

S = Product series, LED Shoebox Light

300W = Rating Power

C = LED manufacturer, Seoul 3030

T3 = Diffuser light angle type, TYPE III

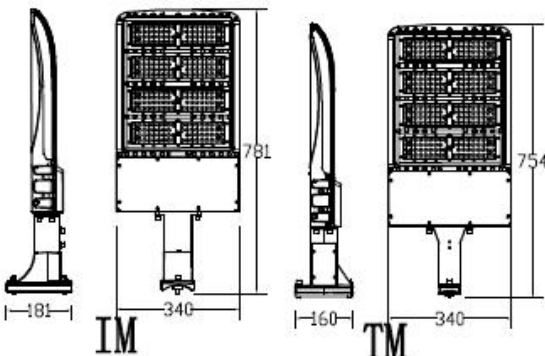
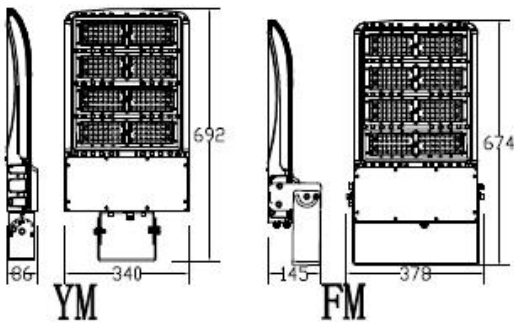
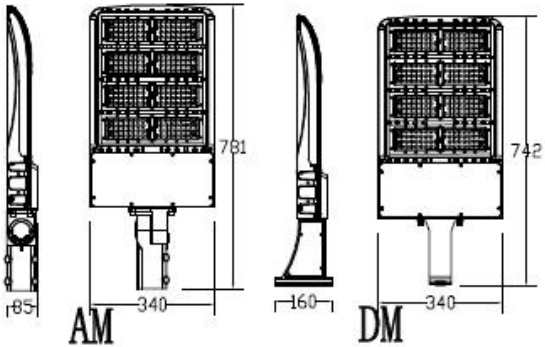
Z=Stent type, can be AM, DM, YM, FM, IM, or TM

A1 = Version number

aaK = CCT, 40K=4000K, 45K=4500K,
 50K=5000K, 57K=5700K



DIMENSIONS



ADVANTAGE

- UL cUL DLC certificate.
- Seoul Chip, high CRI.
- Mean Well IP65 driver, input voltage 100-277VAC.
- Output constant current lever can be adjusted through output cable with 1-10V.
- No UV or IR in the beam.
- Easy to install and operate.
- Energy saving, long lifespan.
- Light is soft and uniform, safe to eyes.
- Instant start, NO flickering, NO humming.
- Green and eco-friendly without mercury.

APPLICATION

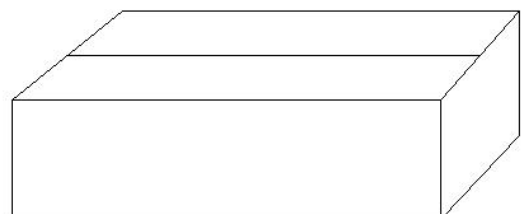
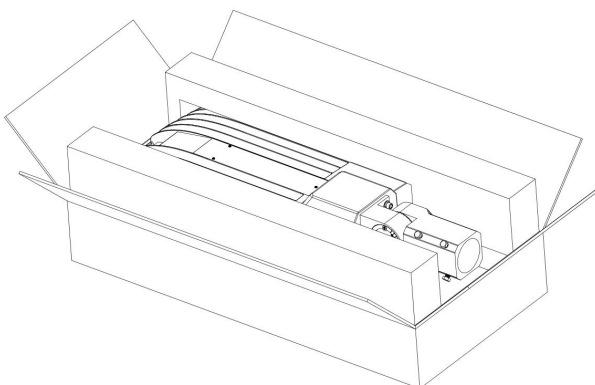
- Outdoor basketball court, tennis court.
- Badminton court, the football field.
- The school playground, stadium.
- Community leisure entertainment plaza, road lamp etc.

SPECIFICATIONS

| | | |
|-------------------|-----------------------|---|
| OPTICAL | Input Power | 300W |
| | Lumen | 34000-38500 LM |
| | Lumen Efficacy | 120-135 LM/W |
| | Color Temperature | 4000K, 4500K, 5000K, 5700K |
| | CRI | >70 |
| | Viewing Angle | 150*85 Degree (Type III) |
| ELECTRICAL | Input Voltage | 100-277VAC 50/60Hz |
| | PF | ≥0.9 |
| | THD | ≤20% |
| | Driver Model | Mean Well HLG-320H-48B (1-10Vdc Dimmer) |
| | Optional Accessory | Photocell / Surge protector / Motion sensor |
| MATERIALS | LED Brand | SEOUL |
| | LED Type | SMD3030 |
| | LED QTY | 280 PCS |
| | Housing | Aluminum Alloy |
| | Housing Color | Black / Brown |
| | Waterproof Rating | WET (IP65) |
| OTHERS | Operating Temperature | -40°C TO 45°C |
| | Operating Humidity | 10%-90% RH |
| | Storage Temperature | -40°C TO 80°C |
| | Storage Humidity | 10%-95% RH |
| | Warranty Time | 5 Years |

PACKAGE

| Stent Type | Lamp Net Weight | Size | Photocell / Motion sensor size | Qty / Carton | Gross Weight / Carton |
|------------|-----------------|---------------|--------------------------------|--------------|-----------------------|
| AM | 11.8KG | 820*390*145MM | 820*390*185MM | 1 PC | 13.8KG |
| DM | 10.7KG | 820*390*145MM | 820*390*185MM | 1 PC | 12.7KG |
| YM | 10.6KG | 820*390*184MM | 820*390*185MM | 1 PC | 12.8KG |
| FM | 11.8KG | 610*393*175MM | 610*393*194MM | 1 PC | 13.7KG |
| IM | 11.3KG | 820*390*145MM | 820*390*185MM | 1 PC | 13.3kg |
| TM | 11KG | 820*390*145MM | 820*390*185MM | 1 PC | 13kg |



LIGHT DISTRIBUTION TESTING PARAMETERS

Luminaire Property

Luminaire Manufacturer:

Voltage: 119.3 V

Power: 289.76 W

Current: 2.3941 A

Power Factor: 0.9912

Photometric Results

IES Classification: Type III

Total Rated Lamp Lumens: 35513.7 lm

Efficiency: 100%

Upward Ratio: 0%

Central Intensity: 7897.86 cd

Pos of Max. Intensity: H157.5 V66

Longitudinal Classification: Short

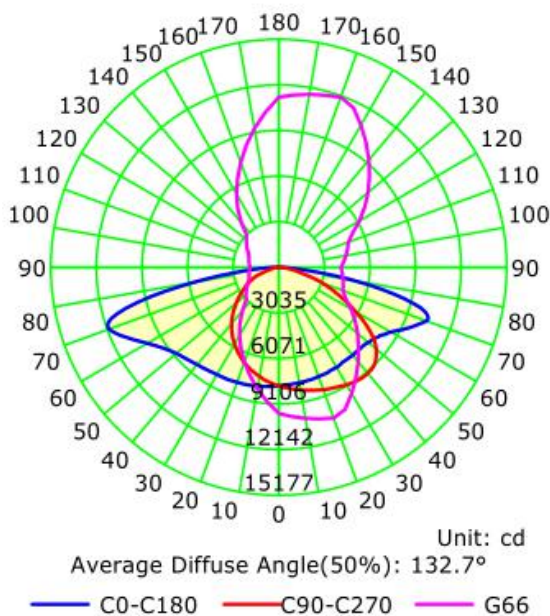
Measurement Flux: 35513.7 lm

Downward Ratio: 100%

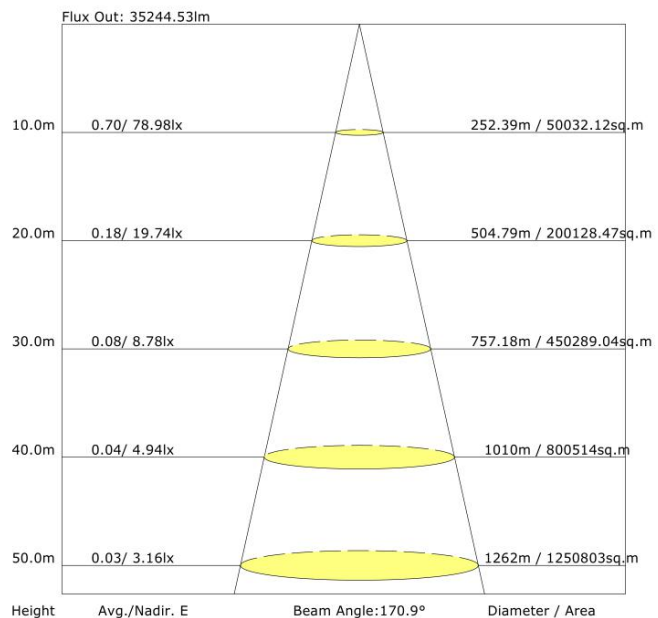
Luminaire Efficacy Rating (LER): 124.71

Max. Intensity: 12142.28 cd

Luminous Intensity Distribution Curve



The Average Illuminance Effective Figure



NOTICE FOR USER

- Please turn off power before install or change assembly parts.
- The input voltage and lamps should be matched, after connecting the power line, Please make sure the wiring section is insulated.
- No-professionals, must not install and disassemble the lamps.

TROUBLE SHOOTINGS

| Troubles | Check points |
|-------------------------|--|
| Flickering of the light | Turn off the power and turn on again in 3 minutes. If same phenomena occur, then call agencies. |
| Out of working | Please check the connection. |