

25FT 5"x5" SQUARE LIGHT POLE

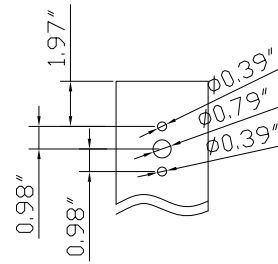


Plastic Top Cap
3 Holes Each Side

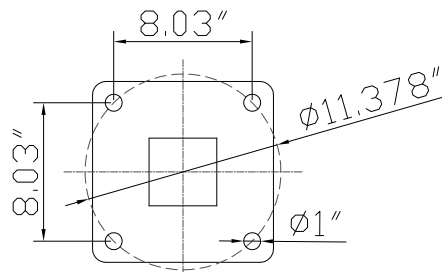
5'x5" Square

Thickness=0.118"(3mm)/
Thickness=0.177"(4.5mm)
Q235

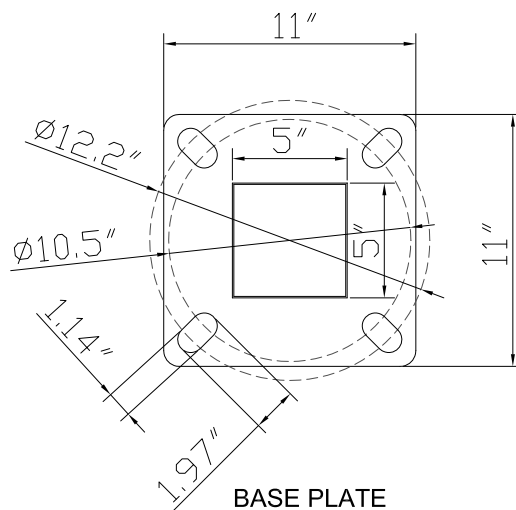
25 FT



POLE TOP DETAILS



TEMPLATE

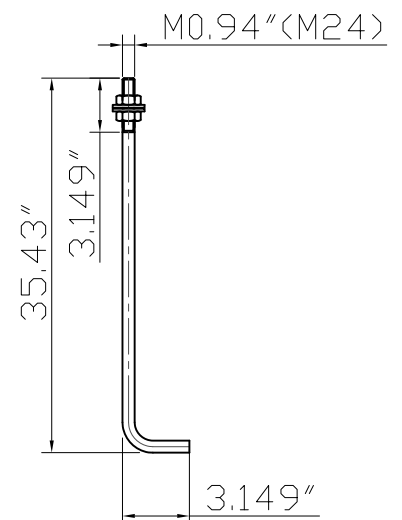


BASE PLATE

Door 3"x5"

18"

1"



**ANCHOR BOLTS
4PCS PER POLE**

NOTES:

1. MATERIAL: STEEL Q235;
2. ALL DIMENSIONS ARE IN INCHES.
3. SURFACE FINISH: POWDER COATING.
4. MANUFACTURED TO BS EN40;

