



P/N:AST-CP02B-240WXYZ-ab

Note:

AST= Company name.

CP02B = Product series, LED Canopy Light.

240W = Rating Power.

X=Driver manufacturer, SOSEN.

Y=LED manufacturer, Hongli 2835

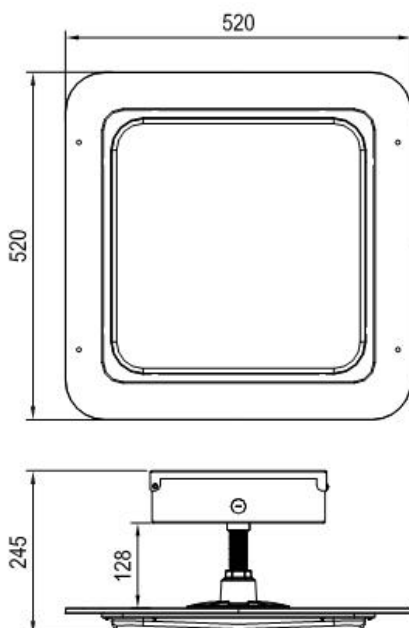
Z= Cover type . Frosted lens.

a = Housing colors, WH=White,

b= CCT,27~65(2700K-6500K)



DIMENSIONS



ADVANTAGE

- UL cUL certificate
- IP65 driver, input voltage 120-277VAC.
- No UV or IR in the beam.
- Easy to install and operate.
- Energy saving, long lifespan.
- Light is soft and uniform, safe to eyes.
- Instant start, NO flickering, NO humming.
- Green and eco-friendly without mercury.

APPLICATION

- Widely used in gas station, service station, underground parking lot, warehouse, garage;
- Work floor, factory and so on.

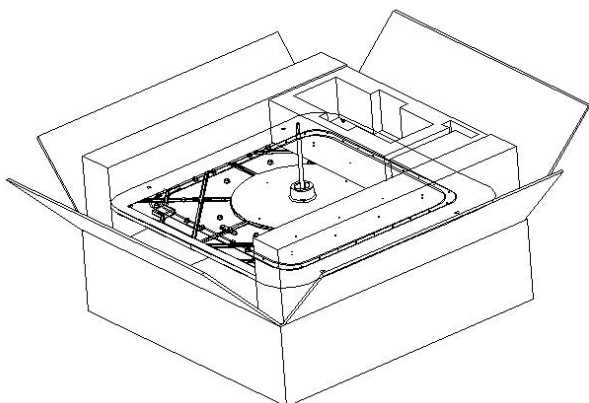
SPECIFICATIONS

OPTICAL	Input Power	240W
	Lumen	31680- 34080LM
	Lumen Efficacy	132-142 LM/W
	Color Temperature	2700K-6500K
	CRI	>80
	Viewing Angle	110 Degree
ELECTRICAL	Input Voltage	120-277VAC 50/60Hz
	PF	≥0.9
	THD	≤20%
	Driver Model	SS-240VA-56B (1pcs)
MATERIALS	LED Brand	HongLi
	LED Type	SMD2835 (0.5W)
	LED QTY	1500 PCS
	Housing	Aluminum Alloy
	Housing Color	White or Customized
	Cover	Frosted lens
	Waterproof Rating	WET (IP65)
OTHERS	Operating Temperature	-40°C TO +40°C
	Operating Humidity	10%-90% RH
	Storage Temperature	-40°C TO 80°C
	Storage Humidity	10%-95% RH
	Warranty Time	5 Years

PACKAGE

Lamp Net Weight: 7.5 KG/PC

	Size	Qty/ Carton	Weight/ Carton
Outer box	560*560*160 MM	1 PC	8.6 KG



LIGHT DISTRIBUTION TESTING PARAMETERS

Luminaire Property

Luminaire Manufacturer:

Luminaire Description: AST-CP02B-240WXYZ-ab

Luminous Length (mm): 380

Voltage: 120.2 V

Power: 242.80 W

Luminous Width (mm): 380

Current: 2.027 A

Power Factor: 0.996

Photometric Results

CIE Class: Direct

Measurement Flux: 34106.1 lm

Downward Ratio: 99%

Horizontal Diffuse Angle(50%): H112.1

Vertical Diffuse Angle(50%): V112.7

Luminaire Efficacy Rating (LER): 140.52

Max. Intensity: 11949.21 cd

S/MH(C0/C180): 1.29

Total Rated Lamp Lumens: 34106.1 lm

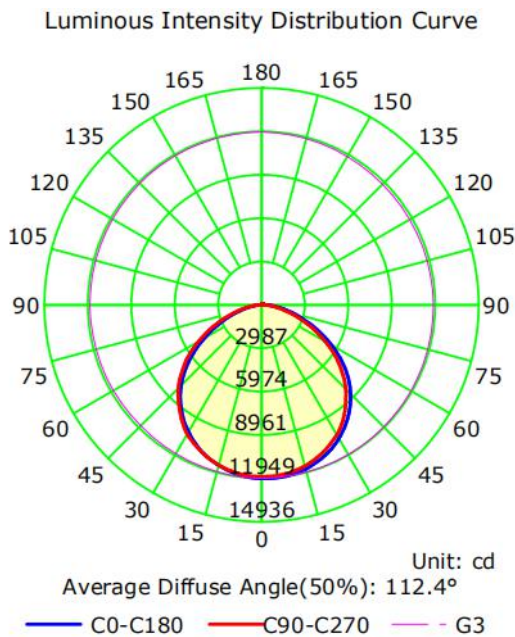
Efficiency: 100%

Upward Ratio: 1%

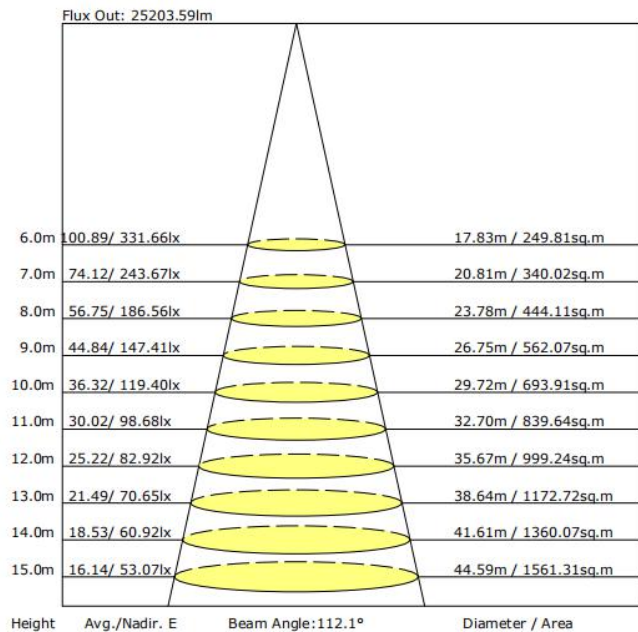
Central Intensity: 11939.92 cd

Pos of Max. Intensity: H0 V3

S/MH(C90/C270): 1.29



The Average Illuminance Effective Figure



NOTICE FOR USER

- Please turn off power before install or change assembly parts.
- The input voltage and lamps should be matched, after connecting the power line, Please make sure the wiring section is insulated.
- No-professionals, must not install and disassemble the lamps.

TROUBLE SHOOTINGS

Troubles	Check points
Flickering of the light	Turn off the power and turn on again in 3 minutes. If same phenomena occur, then call agencies.
Out of working	Please check the connection.