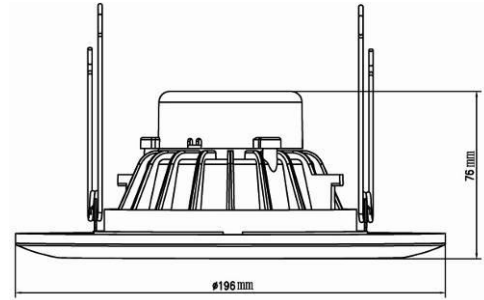


LED DOWN LIGHT



D516



Size : Φ 196x76mm(7.72x2.99")

Characteristics

Item Number	D516
Description	6" LED Adjustable Angle Down Light
Voltage	120V AC
Power	15W
Dimmable	Yes
LED Type	SMD
CRI	>90
Lumens	1010 lms
Color	27/30/40/50k
Life time	50,000 hours
Certificate	ETL,Energy Star,FCC,Lighting Facts,LM79,LM80

Features

- Energy efficient: save up to 80% in energy costs
- High lumen output
- Mercury-free
- Instant-on light
- Wet location
- 50,000 hours at 70% lumen maintenance rated life
- CCT:2700-6000K
- 5 years manufacturer warranty

Application



Easy to Install in 3 Easy Steps:



Step1: Twist adaptor into socket.



Step2: Insert male connector into female one.



Step3: Insert LED trim.

Packaging

Size	Carton Size	Pcs/CTN	N.W.	G.W.
6"	56x41x22cm/22.05x16.14x8.66"	12	6kgs/13.23 lb	7kgs/15.43 lb

Production & Facilities

