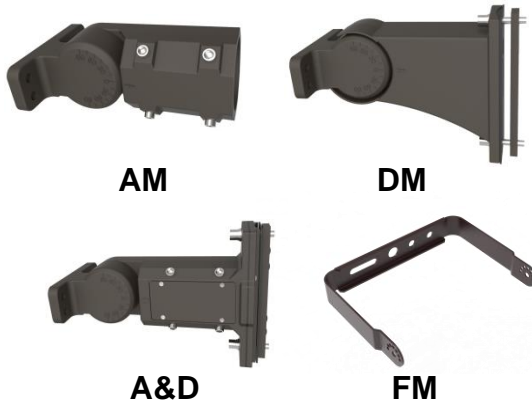




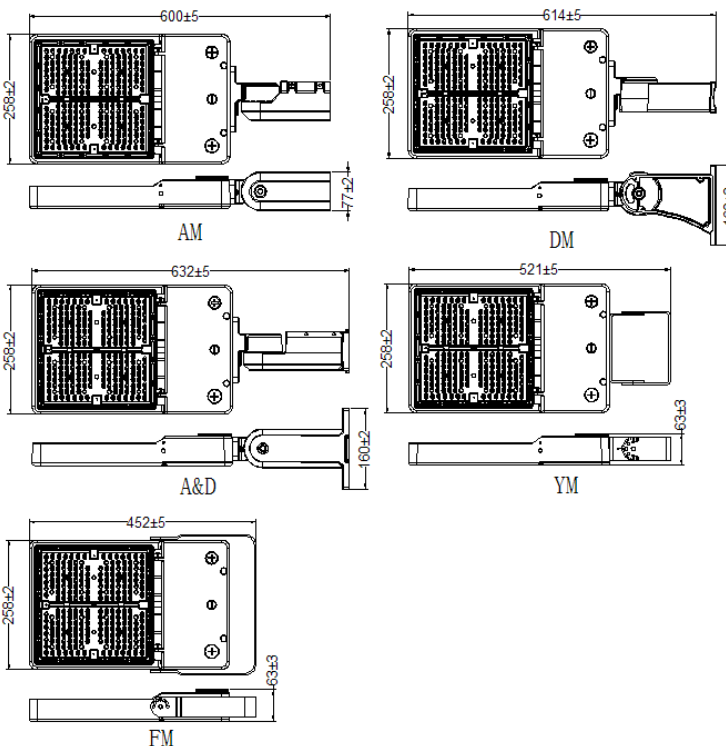
P/N: AST-FL13-150D1JT3SA1-abcdef

Note:

- "AST" is the company name;
- "FL13" is a 13 series led flood light.
- "150" is the input wattage;
- "D1" is the LED Driver manufacture of Daermay;
- "J" is the LED manufacture of Bridgelux;
- "T3" is the lens type, TYPE III lens;
- "S" for CCT untunable (No CCT Switch);
- "A1" is the version type;
- "a" can be any two letters for lamp colors;
BR=Brown, BH=Black, or Customized;
- "b" can be "10SP" or "20SP" for Surge-Protective Device type provided or blank for no Surge-Protective Device provided;
- "c" can be "3RP", "3NP", "3RT", "3NT", "5RP", "5NP", "5RT", "5NT", "7RP", "7NP", "7RT" or "7NT" for Photocontrol type provided or blank for no Photocontrol provided;
- "d" can be "M"= Motion Microwave sensor, "R"= Motion PIR sensor, "Z"=DC Sensor Receptacle provided, blank= not provided;
- "e" can be "AM", "DM", "YM", "A&D" or "FM" for Mounting Bracket type;
- "f" can be any digits for CCT;
30=3000K, 35=3500K, 40=4000K, 45=4500K, 50=5000K, 57=5700K.



DIMENSIONS



APPLICATION

- Outdoor basketball court, tennis court.
- Badminton court, the football field.
- The school playground, stadium.
- Community leisure entertainment plaza, road lamp etc.

ADVANTAGE

- UL cUL DLC-V5.1(Premium) certificate.
- Bridgelux Chip, high CRI.
- Input voltage 120-277VAC.
- Output constant current lever can be adjusted through output cable with 0-10V.
- No UV or IR in the beam.
- Easy to install and operate.
- Energy saving, long lifespan.
- Light is soft and uniform, safe to eyes.
- Instant start, NO humming.
- Green and eco-friendly without mercury.

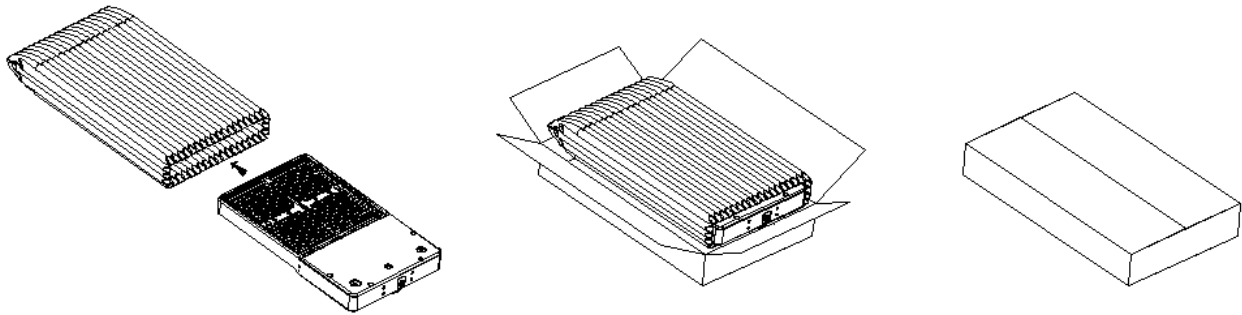
SPECIFICATIONS

OPTICAL	Input Power (Tolerance : ±10%)	150W					
	Color Temperature	3000K	3500K	4000K	4500K	5000K	5700K
	Lumen (Tolerance : -10%)	21277 LM	21367 LM	21456 LM	21531 LM	21606 LM	21815 LM
	Efficacy (Tolerance : -3%)	141LM/W	142 LM/W	143 LM/W	143 LM/W	144 LM/W	146 LM/W
	CRI	>70					
	Color Consistency	<6 Steps (or <6 SDCM)					
	BUG	B3-U0-G3					
	Distribution Pattern	Type III					
Beam Angle (50%) (Tolerance : ±15%)	152*92 Degree						
ELECTRICAL	Input Voltage and Frequency	120-277VAC, 50/60Hz					
	PF (Tolerance : -3%)	≥0.9					
	THD (Tolerance : +5%)	≤20%					
	Flicker Percent	<62%					
	Driver Brand	Daermay					
	Driver Model	MP-150T130A					
	Driver Surge protection	L/N-PE: 3kV, L-N: 6kV					
	Dimming	0-10V dimming standard					
	Optional Accessory	Photocontrol, Surge-protective Device, Motion Sensor					
MATERIALS	LED Brand	Bridgelux					
	LED Type	SMD3030					
	LED QTY	192 PCS					
	Housing	Die-cast aluminum					
	Housing Color	Any Colors					
	EPA	1.53 ft ²					
	Waterproof Rating	WET (IP65)					
OTHERS	Operating Temperature	-30°C TO 50°C					
	Storage Temperature	-40°C TO 85°C					
	Operating Humidity	20% - 90% RH					
	Storage Humidity	20% - 90% RH					
	Warranty	5 years warranty with 24/7 operating hours Luminaire lifetime at 25°C.					

PACKAGE

Bracket Type	Carton Size	Qty / Carton	Net Weight / Carton	Gross Weight / Carton
AM	650*310*130 mm	1 PC	5.3 Kg	6.1 Kg
DM	670*310*200 mm	1 PC	5.7Kg	6.5 Kg
YM	590*310*125 mm	1 PC	4.5 Kg	5.3 Kg
A&D	680*310*200 mm	1 PC	6.0 Kg	6.8 Kg
FM	510*330*125 mm	1 PC	4.4 Kg	5.2 Kg

Tolerance of Carton Size: ±15 MM, Tolerance of Weight: ±10%.



LIGHT DISTRIBUTION TESTING PARAMETERS

Luminaire Property

Luminaire Manufacturer:
 Luminaire Category:
 Lamp Catalog:
 Number of Lamps:
 Luminous Length (mm):
 Luminous Height (mm):
 Current: 1.260 A
 Power Factor: 0.993

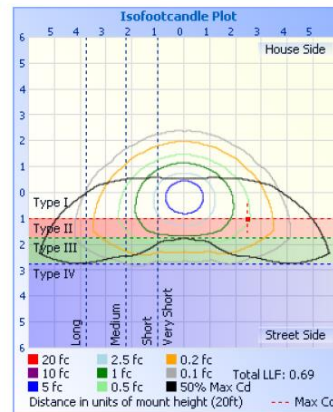
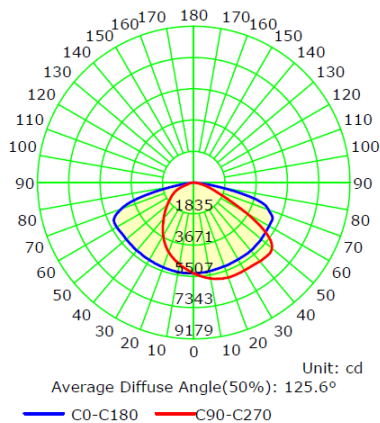
Luminaire Description:
 Lamp Description:
 Lumens per Lamp:
 Luminous Width (mm):
 Voltage: 120.0 V
 Power: 150.45 W

Photometric Results

IES Classification: Type III
 Total Rated Lamp Lumens: 21277.7 lm
 Efficiency: 100%
 Upward Ratio: 0%
 C0r0 Intensity: 5326.19 cd
 Pos of Max. Intensity: H22.5 V73

Longitudinal Classification: Medium
 Measurement Flux: 21277.7 lm
 Downward Ratio: 100%
 Luminaire Efficacy Rating (LER): 141.48
 Max. Intensity: 7343.91 cd

Luminous Intensity Distribution Curve



NOTICE FOR USER

- Please turn off power before install or change assembly parts.
- The input voltage and lamps should be matched, after connecting the power line, Please make sure the wiring section is insulated.
- No-professionals, must not install and disassemble the lamps.

TROUBLE SHOOTINGS

Troubles	Check points
Flickering of the light	Turn off the power and turn on again in 3 minutes. If same phenomena occur, then call agencies.
Out of working	Please check the connection.