

LED EMERGENCY LIGHTS:



Item No. Description



EM01W LED Emergency Light, 2 Heads, White Housing, Battery Backup

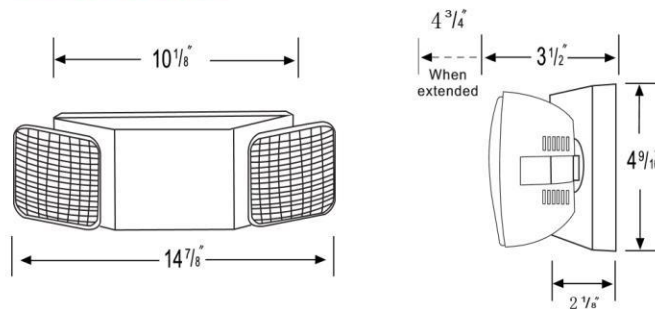
Electrical

- Dual voltage input
120/277 VAC, 60 Hz
- Line-latching
- Brownout circuit
- Low voltage disconnect
- Two 1.8W LED lamp heads ,
eight LEDs per head , of
emergency lighting .the
typical life of the LED
is 5 years.

Housing Construction

- All components are injection
molded, color stable, high
impact thermoplastic material
- Designer textured finish
Standard
- Components are of snap-fit
construction to facilitate
under 5-minute installation
- Reinforcing ribs throughout
to provide maximum strength
- Suitable for wall or ceiling
mount applications
- Top and side knockout
For conduit applications.

Dimensions



Dimensions are approximate
and subject to change.

Battery

- 3.6V Long-life, maintenance-free,
rechargeable NiCd battery.

Head/Lamp Data

- Two heads standard
- Square head type design
- 0.9watt (8 LEDs x 0.11 watt) per head.
- Fully adjustable lamp housing
- High impact thermoplastic

LED EXIT SIGN:



Item No.	Description
----------	-------------

EX2RW	Red Exit Sign, White Housing, Single / Double Face, Battery Backup
EX2GW	Green Exit Sign, White Housing, Single / Double Face, Battery Backup

Housing Construction

- **HOUSING:** Injection molded from UV stabilized high impact, scratch resistant, and corrosion resistant engineering grade thermoplastic in an architecturally attractive mist white color. Designed for virtually tool free installation. Universal face plate with selectable chevrons. 6 letters, available in red or green.

Electrical

- **MOUNTING:** SNAP IN canopy kit for side top or end mounting, 2 faces and backplate
- **COOL RUNNING LED:** State of the art light source, which provides energy efficient, long life and even legend illumination.
- **POWER REQUIREMENTS:** Dual voltage, input 120/277Vac, 60Hz
- **CIRCUITRY:**

Fully integrated circuitry includes a 2-wire 120-277Vac AC voltage input regulator, as well as an automatic, constant-current battery charger with solid-state transfer and AC-LED monitor and test switch.

Self Powered Units

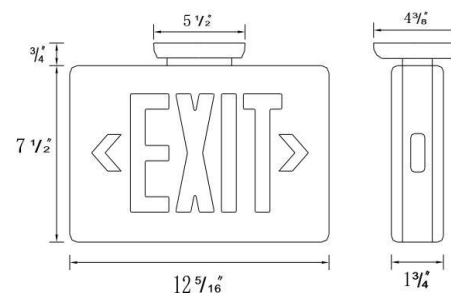
Units come with a test switch and AC on indicator

Maintenance free nickel cadmium Battery (4.8V/700mAh)

Charger driver assembly offers advanced features such as temperature compensation and superior LED performance.

High efficiency current regulated circuitry maintains equal illumination level in both the emergency and AC modes.

Dimensions



Dimensions are approximate and subject to change.

LED EXIT & EMERGENCY COMBO LIGHTS:



Item No.	Description
----------	-------------

EXC1RW	LED Red Exit Combo Unit, Single Face, White Housing, Battery Backup LED
--------	---

EXC1GW	Green Exit Combo Unit, Single Face, White Housing, Battery Backup
--------	---

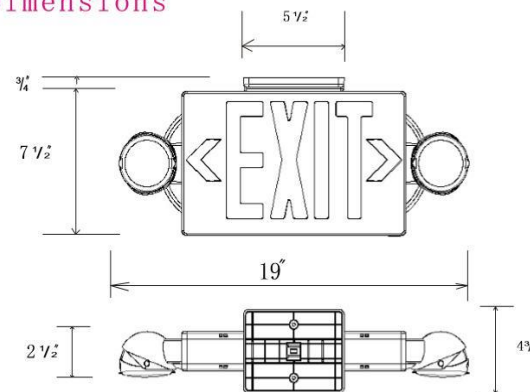
Electrical

- Dual voltage input 120/277 VAC, 60 Hz
- Line-latching
- Brownout circuit
- Low voltage disconnect
- Overload/short circuit Protection
- Test switch/power connector facilitates Installation

Housing Construction

- All components are injection molded, color stable, high impact thermoplastic material
- Designer textured finish Standard
- Components are of snap-fit construction to facilitate under 5-minute installation
- Reinforcing ribs throughout to provide maximum strength
- Suitable for wall or ceiling mount applications
- Universal J-box mounting pattern
- Keyhole mounting slots

Dimensions



Dimensions are approximate and subject to change.

Battery

- Maintenance-free sealed long-life nickel cadmium, 9.6V/1Ah.
- Full recharge time: 24 hrs (Max.)

Lamp Data

AC LED: Long-life LED lamps provide uniform diffused illumination
 DC: LED DC lamps (Brighter in emergency mode)
 Heads DC: 9.6V, 1.3W lamps