

NAME: LED Corn Light

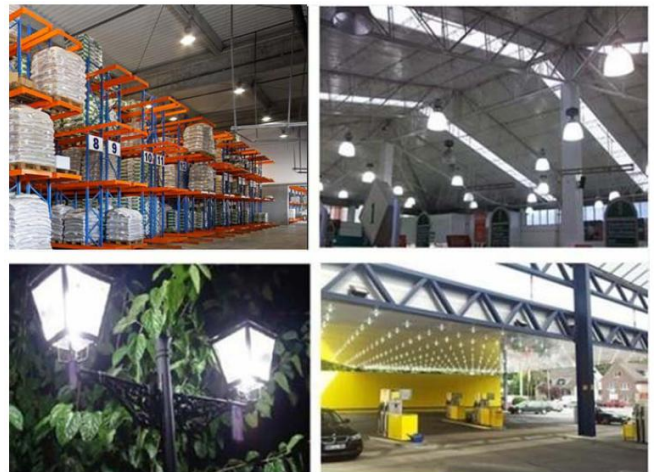
P/N: SNC-TCLW-B-50WXYA1Z-aaK

SNC-TCLW-T-50WXYA1Z-aaK

- Note: 1. The Letter X in P/N stands for LED manufactory, could be any alphabet.
 2. The Letter Y in P/N stands for Cover type, "C" for Clear cover, "F" for Frosted cover.
 3. The Letter Z in P/N stands for Lamp base type, "-E" for E39 lamp base, "-EX" for EX39 lamp base, The blank for E26 lamp base.
 4. "aa" in P/N stands for CCT, can be 27, 30, 35, 40, 45, 50, 57, 65.

Advantage:

- UL cUL certificate.
- E26 E39 EX39 lamp base.
- 360 degree lighting, high CRI.
- Can be with clear or frosted cover.
- IP64 Waterproof Rating, with SUNON fan.
- Internal driver, input voltage AC100-277V.
- Long lifespan and good heat dissipation.
- Direct replacement for Metal Halide, easy installation.
- Fits many different fixtures to replace traditional lamps.



Application:

- ◆ Widely used in supermarket, warehouse, garage, home, office, hotel, hospital, school, street, garden etc.

Product Specifications

Product name	LED Corn Light		
Part No	SNC-TCLW-B-50WXYA1-aaK SNC-TCLW-T-50WXYA1-aaK	SNC-TCLW-B-50WXYA1-E-aaK SNC-TCLW-T-50WXYA1-E-aaK	SNC-TCLW-B-50WXYA1-EX-aaK SNC-TCLW-T-50WXYA1-EX-aaK
Lamp Base	E26	E39	EX39
Dimension	Φ130*168 MM	Φ130*177 MM	Φ130*179 MM

Technical Characteristic

Color temperature	2700-6500K	
CRI	>80	
Cover	Clear	Frosted
Lumen	6000-6700 LM	5000-5700 LM
Lumen Efficacy	120-135 LM/W	100-115 LM/W
Input Power	50 W	
Viewing Angle	360 degree	
Input Voltage	AC100-277V 50/60Hz	
PF	≥0.9	
Equivalent	100W CFL, 150W MHL/HPS/HID	
Waterproof Rating	IP64	

Materials

LED Type	SMD2835 (0.5W)
LED QTY	272 PCS
Housing	PC + AL
Housing color	White + Grey

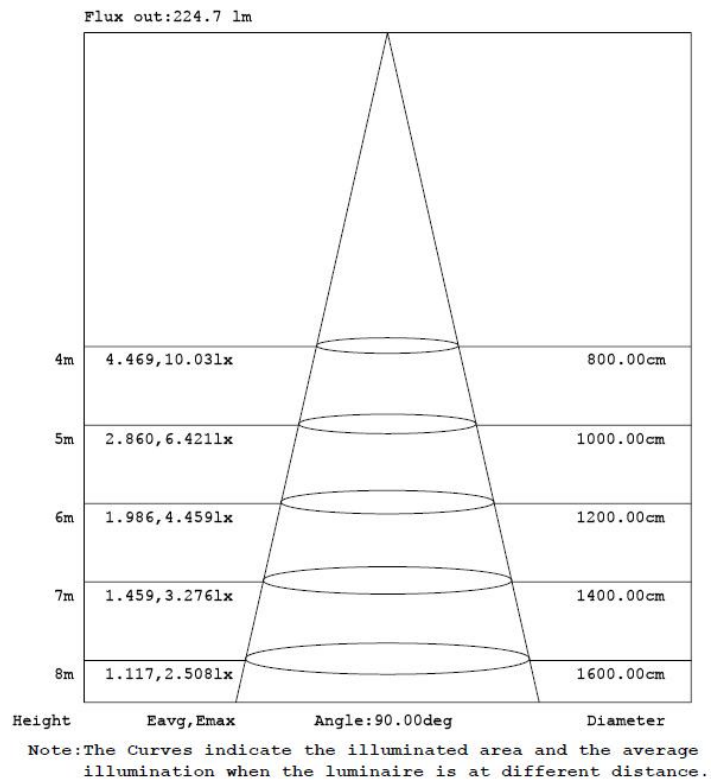
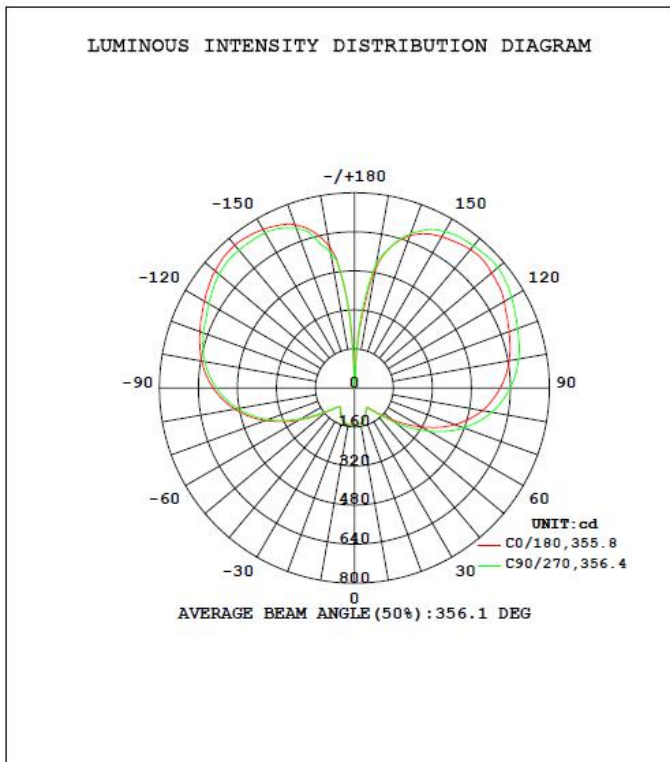
Others

Operating Temperature	-20℃ TO 45℃
Operating Humidity	20%-70% RH
Storage Temperature	-30℃ TO 80℃
Storage Humidity	10%-75% RH
Application	Indoor / Outdoor
Safety Certification	UL cUL
Warranty Time	5 Years

Light Distribution Testing Parameters

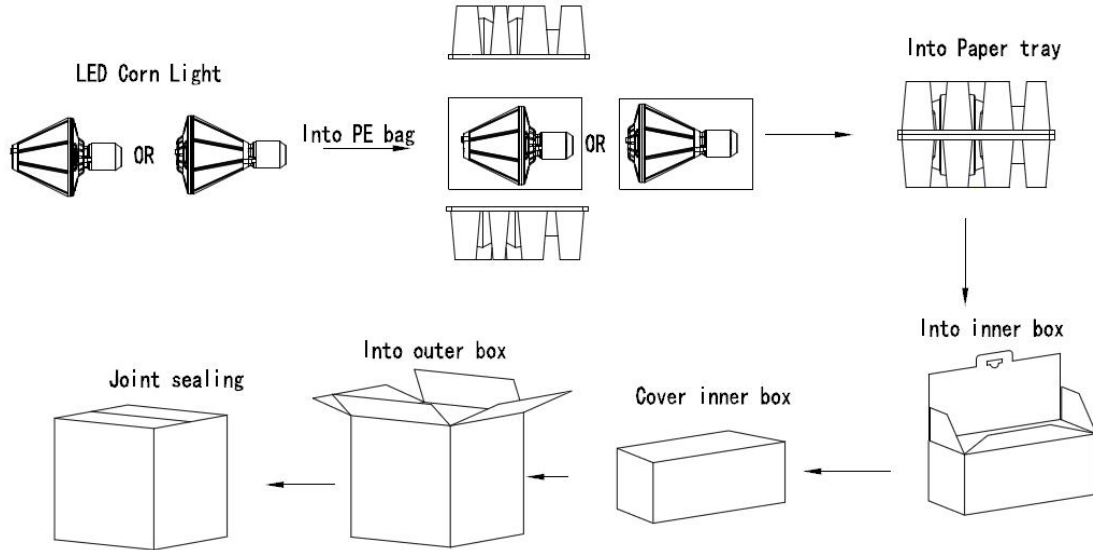
Remark: The testing data comes directly from the product test.

DATA OF LAMP		PHOTOMETRIC DATA Eff: 133.54 lm/W			
MODEL		I _{max} (cd)	815.7	S/MH (C0/180)	1.12
NOMINAL POWER (W)	50	LOR (%)	100.0	S/MH (C90/270)	1.14
RATED VOLTAGE (V)	120	TOTAL FLUX (lm)	6302.1	η UP, DN (C0-180)	35.6, 16.4
NOMINAL FLUX (lm)	6302.14	CIE CLASS	SEMI-IND.	η UP, DN (C180-360)	33.9, 14.1
LAMPS INSIDE	1	η up (%)	69.5	CIBSE SHR NOM	2.00
TEST VOLTAGE (V)	120	η down (%)	30.5	CIBSE SHR MAX	0.00



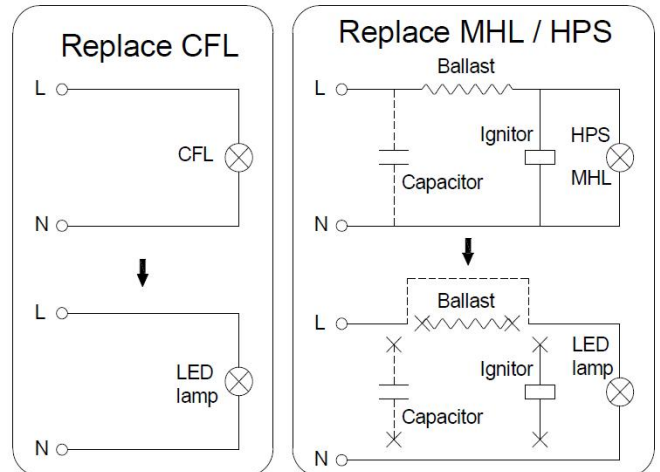
Package

	Size	Qty / Carton	Net Weight / Carton	Gross Weight / Carton
Inner box	240*180*180 MM	1 PC	0.66 KG	0.84 KG
Outer box	560*255*385 MM	6 PCS	4.0 KG	6.1 KG



Notice For User

- ◆ Please turn off power before install or change assembly parts.
- ◆ The input voltage and lamps should be matched, after connecting the power line, please make sure the wiring section is insulated.
- ◆ Make sure to remove or bypass the ballast in the fixtures before install the lamps.
- ◆ Suitable for damp locations. Do not use with dimmers.
- ◆ Suitable for use in enclosed luminaires, min. lamp compartment dimensions: 400*200*200 MM.
- ◆ No-professionals, must not install and disassemble the lamps.



Trouble Shootings

Troubles	Check points
Flickering of the light	Turn off the power and turn on again in 3 minutes. If same phenomena occur, then call agencies.
Out of working	Please check the connection.