

PRODUCT DATA SHEET

Round security light

Round security light, Three-head + 3CCT + 180 ° Motion Sensor 30W



AREAS OF APPLICATION

- General illumination
- Suitable for Outdoor applications

PRODUCT Highlights

- Easy installation
- Using high-brightness LED chip, energy saving and environmental protection, stable lighting, long service life
- Optical grade lampshade, good light, anti-aging, not easy to damage
- High thermal conductivity aluminum alloy shell, good heat dissipation, vacuum dust-free spraying, anti-corrosion, no peeling
- Strict waterproof treatment technology, in line with international waterproof and dustproof standards
- Radiation protection design, will not affect the lighting effect due to weather
- Charming appearance and fashionable

Product Features

- LED classic induction lighting function
- Color temperature: 3CCT (3000K/4000K/5000K)
- Life time: more than 50000h
- Contains no mercury
- Working environment: Dry Location, Damp Location, wet location



TECHNICAL PARAMETERS
Electrical data

Power supply	Non-isolated power supply + 180 ° Motion Sensor
Working frequency	50/60HZ
Rated wattage	30W
Power factor	>0.9
Rated voltage	AC100-277V
Equiv. Power of CLF	180W

Beam angle

Chip Brand and model	COB
Quantity of lamp beads	3
Directional color	White light
Color temperature deviation	-
Color temperature	3CCT(3000K/4000K/5000K)
Lumen	2700-3000 LM
Light efficiency	90-100 LM/W
CRI	>80
Beam angle	100°

Lighting technical parameters

Start Time	< 1 s
Light control	Power switch control + Motion Sensor control

lifetime

Number of switching cycles	10000
Rated lifetime	50000 h

Other product data

Shell	High thermal conductivity aluminum alloy
Cover	Transparent PC
Without Mercury	Yes
Product Notes	-
Lamp holder	-

Functions

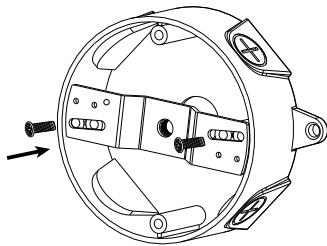
Dimmable	No
Compatible with smart home technology	No

Certificates and standards

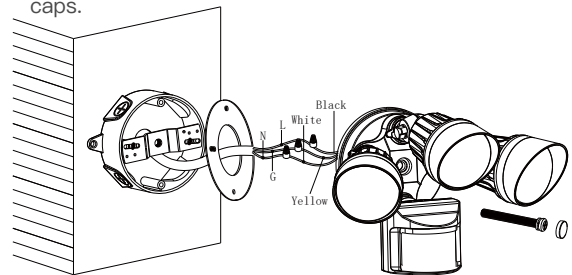
Certification	ETL
---------------	-----

Product installation

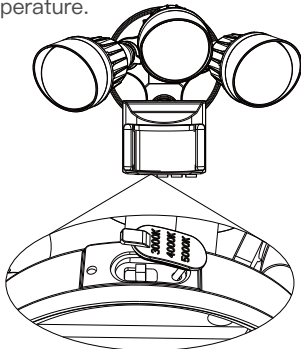
1. Align bracket holes with junction box holes and lock bracket with junction box with screws.



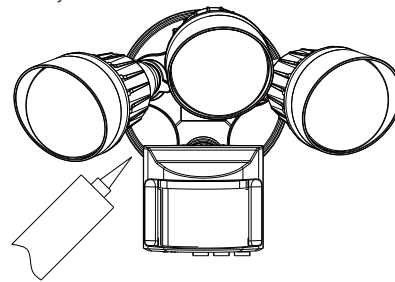
2. Connect power wires like this picture, fix security light with screws and cover screw heads with rubber caps.



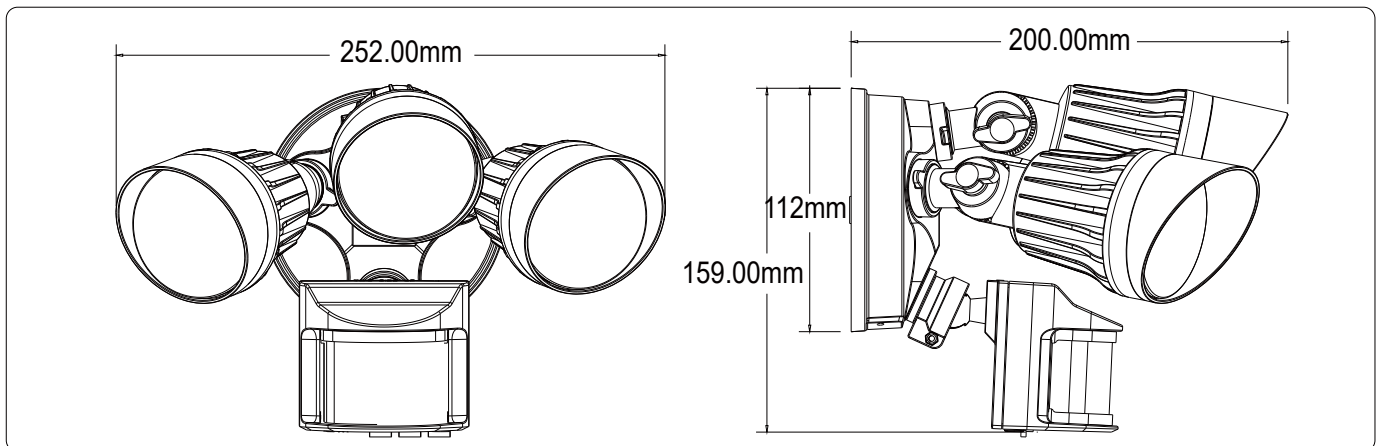
3. Open rubber cap on 3CCT switch and adjust color temperature.



4. When installation is finished, connect security light with power for inspection. If necessary, apply some sealant on the joint of security light bottom base and junction box.



Product line drawing



Kits



Accessories name	Specification Description	Quantity
First generation safety lamp screw waterproof ring	Silicone rubber\white\shaw 60 degrees\ Φ 11.5 * 7.5 * 1.5 mm	1PCS
First generation safety lamp holder	Stamping \ Φ 25 * 98.5 * 10 1.7 mm thick\ galvanized iron\with M8 thread\ground hole in the side	1PCS
Fastener screws	M8*50mm\ cross ball screw \ head 13mm \ tooth pitch 1.25mm\304 stainless steel	1PCS
Fastener screws	M3*8mm\ cross hexagonal head anti-slip screw \ iron plated green zinc \ROHS	1PCS
Fastener screws	10 # H3/8 \ coarse thread\thread diameter 4.7 mm ball head \ american-made\cross galvanized iron\ROHS	2PCS
Fastener screws	American 5/32-3/4 \ ball head \ thread diameter 4.0 length 20mm \ iron galvanized	2PCS
American screw terminal	P3 \ Pressure resistance 300V \ Temperature resistance 105 °C \ Fire rating UL94V-2 \ φ12.5*22mm\ ROHS	3PCS
First generation safety lamp rubber cover	Silicone rubber\white\Φ17.2*6 mm\SS-G70-XJG-A0\ in California in 65\ROHS	1PCS
Generation safety lamp dust mat	EVA\white\ back glue\heat-resistant120°C\ Φ110*55*3mm	1PCS

Logistics data

Packing category	Packaging unit (Pieces/Unit)	Dimensions (mm)	Gross weight (g)	Volume
White box	1/1	260mm x 215mm x 160mm	- g	
Outer box	1/8	535 mm x 445 mm x 346 mm	- g	

Disclaimer

This product data sheet provides periodic information, and the content can be updated at any time according to the actual situation of the product without notice. If caused by improper use of this product data sheet The company does not assume any responsibility for direct or indirect losses