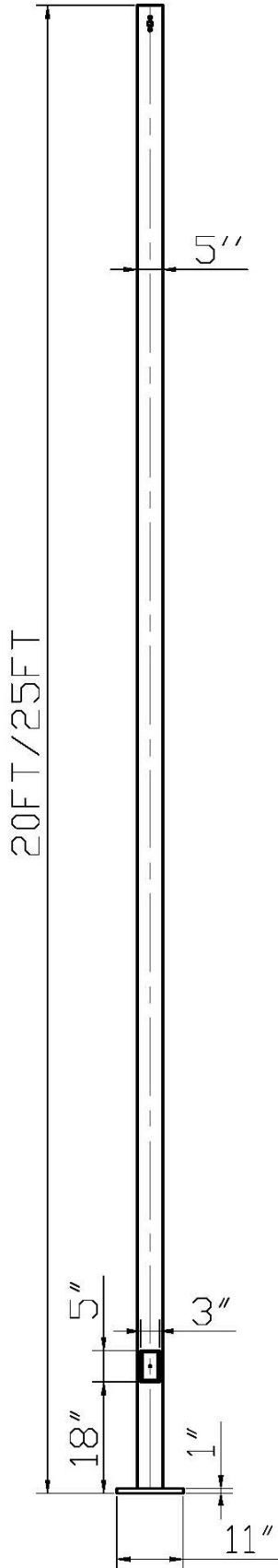


Straight Square Steel Poles

SIZE: 20FT 5"X5" 7GA / 25FT 5"X5" 7GA



Straight Square steel poles are designed for top or side mounted luminaries, with a new universal drill pattern on all four sides of the pole. Polycarbonate black plugs are included to cover all unused holes (12 total). Popular poles are in 20', 25' and 30' lengths in a dark bronze finish. Pole includes pole top cap, base plate cover, hand-hole cover, anchor bolts, anchor bolt template and plastic pole top hole plugs.

PRODUCT FEATURES

MAIN POLE:

Main pole steel material conforms to ASTM-A 500 Grade B: Minimum Yield Strength of 46,000 PSI.

ANCHOR BOLT AND TEMPLATE:

Anchor bolts and templates are hot dip galvanized finish with very good anti-corrosion property. Each pole includes 4 pieces of anchor bolts and 1 piece of template. Steel material of anchor bolts and templates conforms to ASTM-A 500 Grade B: Minimum Yield Strength of 46,000 PSI.

HAND HOLE:

Cast iron reinforced hand hole 3"x5" and cover with ground lug, screw and rubber seal ring.

BASE COVER:

Poles are provided with a two-piece formed steel base cover that is easily assembled and fitted over pole base.

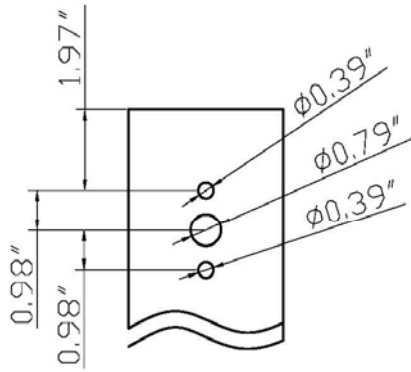
POLE FINISH:

Poles are polished by sandy polishing machine before powder coating. The poles can be powder coated with different colors. The popular one is bronze color. Poles are baked under high temperature to ensure maximum paint adhesion, hardness and durability.

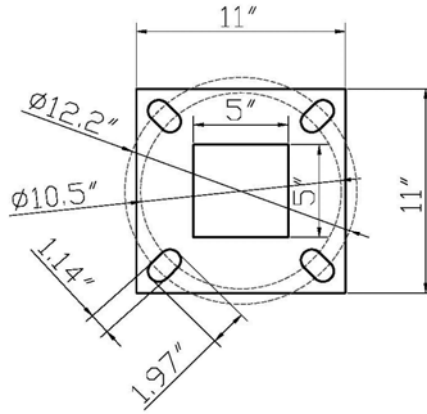
Straight Square Steel Poles

SIZE: 20FT 5"X5" 7GA / 25FT 5"X5" 7GA

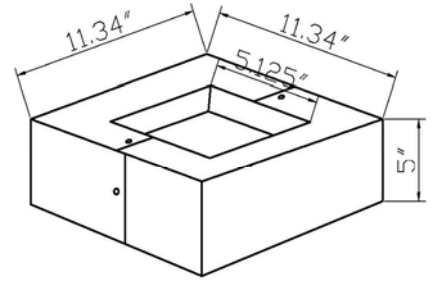
DIMENSION:



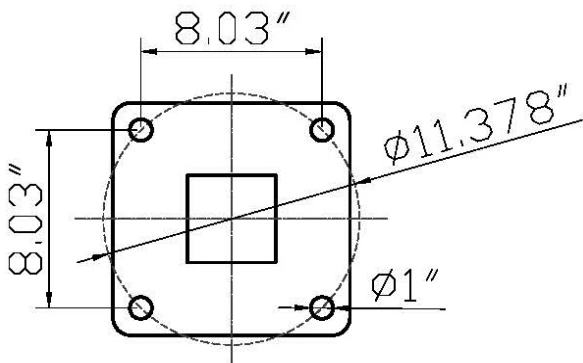
POLE TOP HOLES



BASE PLATE

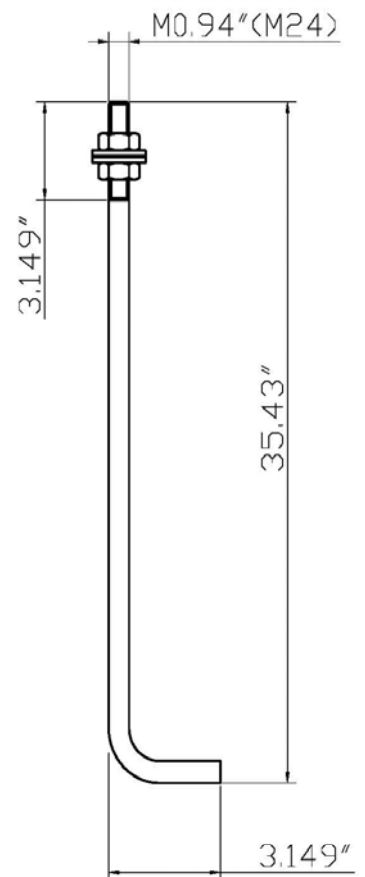


BASE COVER



ANCHOR BOLT TEMPLATE

ANCHOR BOLT



Straight Square Steel Poles

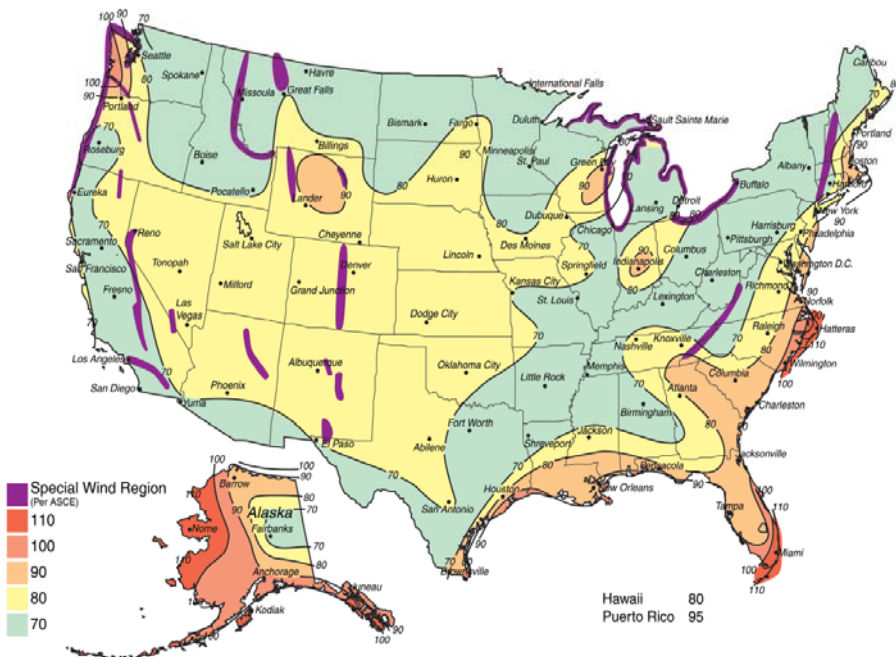
SIZE: 20FT 5"X5" 7GA / 25FT 5"X5" 7GA

DIMENSION DATA:

CATALOG NUMBER	HEIGHT	SHAFT SIZE	GAUGE	BASE PLATE SIZE	BOLT CIRCLE	ANCHOR BOLT SIZE	POLE WEIGHT
20FT-5"x5"-4.5MM	20FT	5"x5"	7	11"x11"x1"	10.5"~12"	0.94"x35.4"x3"	267 LBS
25FT-5"x5"-4.5MM	25FT	5"x5"	7	11"x11"x1"	10.5"~12"	0.94"x35.4"x3"	326 LBS

WIND LOADING DATA:

ALLOWABLE WIND LOADING									
CATALOG NUMBER	HEIGHT	70 MPH	80 MPH	90 MPH	100 MPH	110 MPH	120 MPH	130 MPH	140 MPH
		EPA (FT ²)	EPA (FT ²)	EPA (FT ²)	EPA (FT ²)	EPA (FT ²)	EPA (FT ²)	EPA (FT ²)	EPA (FT ²)
20FT-5"x5"-4.5MM	20FT	35	25	18	14	10	7.6	5.6	3.7
25FT-5"x5"-4.5MM	25FT	25	17	12	8.4	5.6	3.4	1.8	0.3



Applications: Lighting installations for side and top mounting of luminaires with an effective projected area (EPA) not exceeding maximum allowable loading of the specified pole in its installed geographic location.

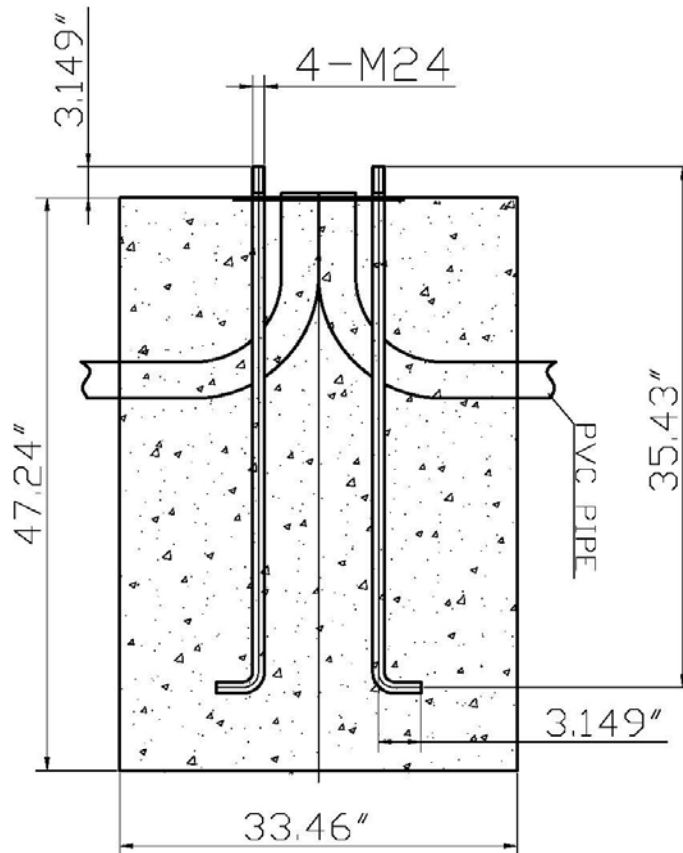
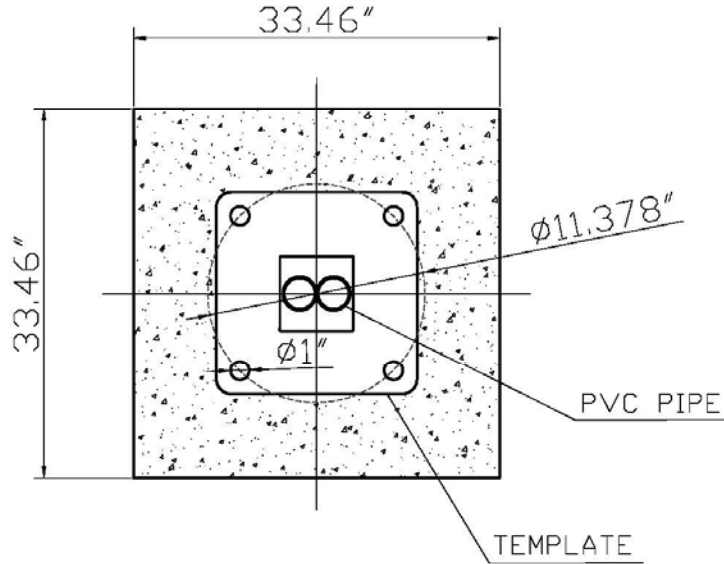
The Wind Maps are intended only as a general guide. Always consult local authorities to determine maximum wind velocities, gusting and unique wind conditions for each specific application.

Allowable pole EPA for jobsite wind conditions must be equal to or greater than the total EPA for fixtures, arms, and accessories to be assembled to the pole. Installation of poles without luminaires or attachment of any unauthorized accessories to poles is discouraged and shall void the manufacturer's warranty.

Straight Square Steel Poles

SIZE: 20FT 5"X5" 7GA / 25FT 5"X5" 7GA

CONCRETE FOUNDATION DETAILS:



Note: The concrete foundation size can be a little smaller or larger than the advised one here, decided by the jobsite ground condition, consult local and federal standards. The concrete shape can be cube or circular cylinder based on the projects' requirement and preference.