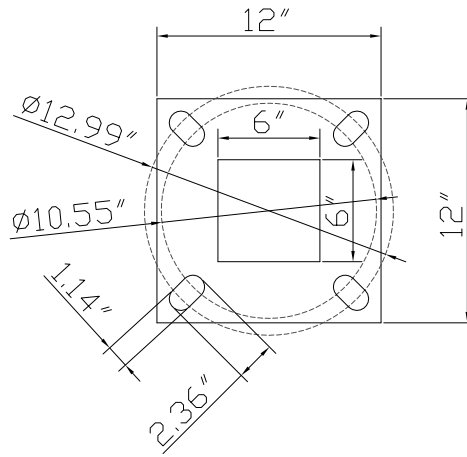
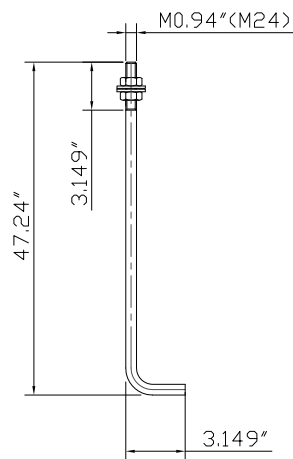


TEMPLATE



BASE PLATE



ANCHOR BOLTS
4PCS PER POLE

NOTES:

1. MATERIAL: STEEL Q235; WALL THICKNESS 4.75MM.
2. ALL DIMENSIONS ARE IN INCHES.
3. SURFACE FINISH: POWDER COATING BRONZE.
4. MANUFACTURED TO BS EN40;