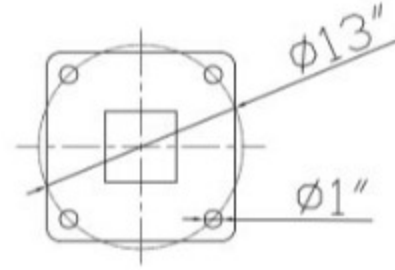
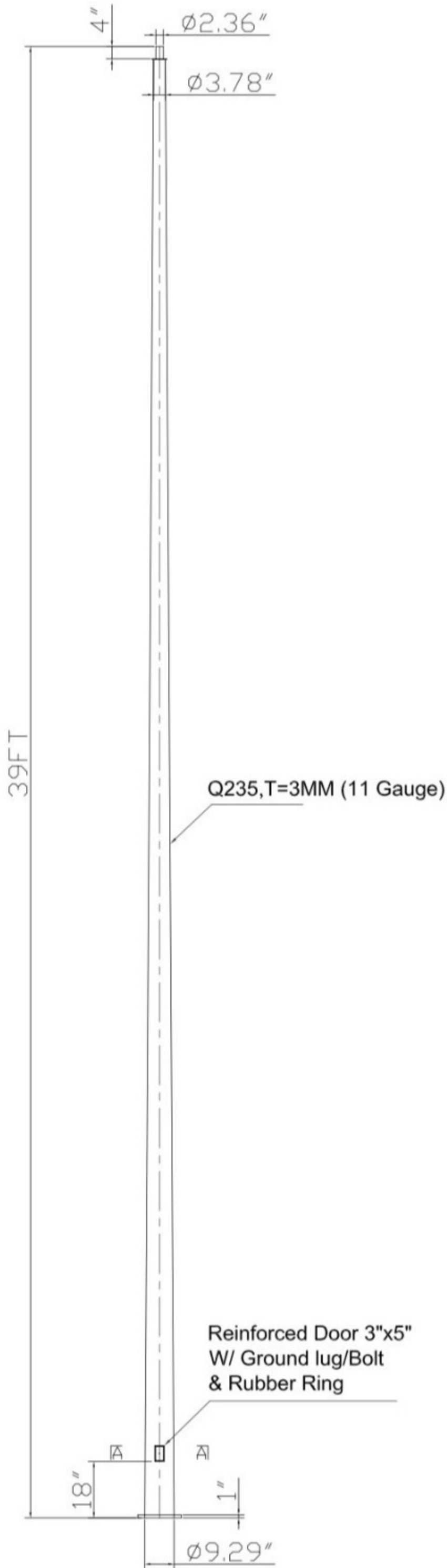
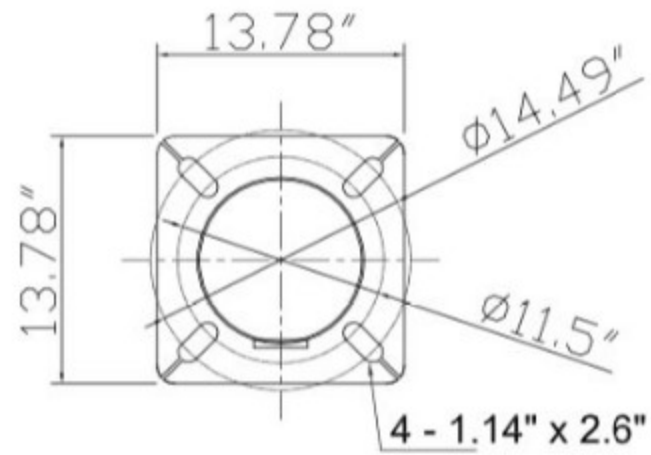


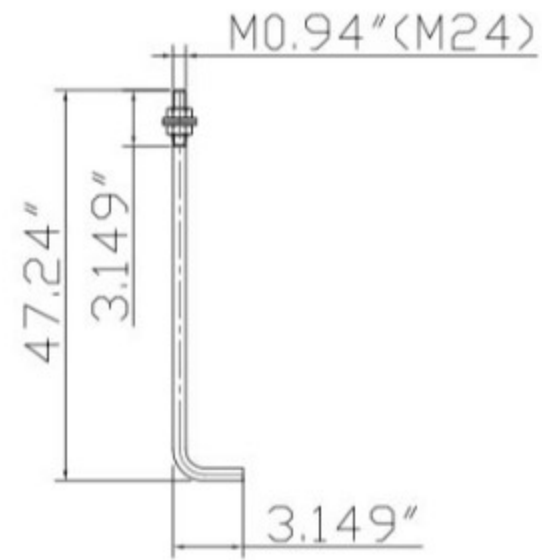
39FT TAPERED ROUND POLE



TEMPLATE



A-A VIEW



**ANCHOR BOLTS
4PCS PER POLE**

NOTES:

- 1. MATERIAL: STEEL Q235;
- 2. ALL DIMENSIONS ARE IN INCHES.
- 3. SURFACE FINISH: POWDER COATING.
- 4. MANUFACTURED TO BS EN40;

DRAWING NO.: TRP39FT3MM