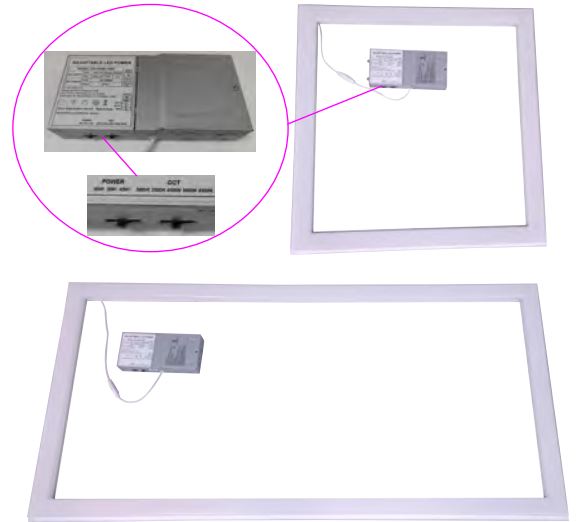
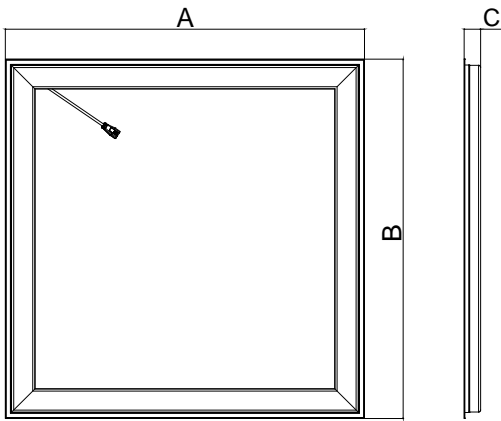


SPECIFICATION

T-LED EDGE LIGHT



Maximum overall	A	B	C
2*2ft	603mm	603mm	27mm
1*4ft	1213mm	303mm	27mm
2*4ft	1213mm	603mm	27mm



FEATURES

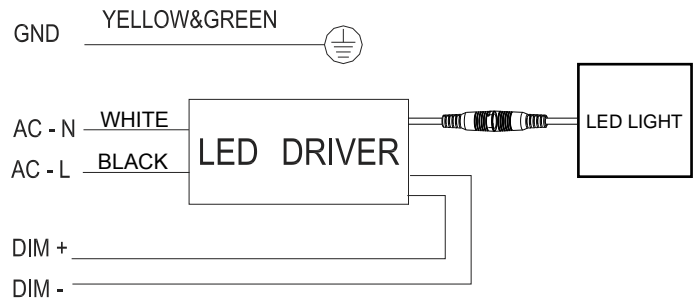
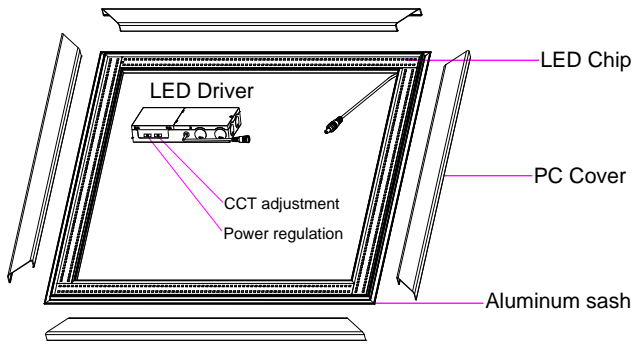
Input voltage:	AC100-277V
Operating frequency:	50/60Hz
Power factor:	> 0.95
Ambient temperature range:	-20°C ~+45°C
Color Temp:	3000/3500/4000/5000/6500K
Dimmable:	3-in-1 dimming(0-10V;PWM;Rx)
THD:	≤10%
IP Rating:	IP40
CRI:	>Ra80
Beam angle:	120°

- Luminous Flux:>125lm/w
- Housing material:6063-T5
- 5 years' warranty

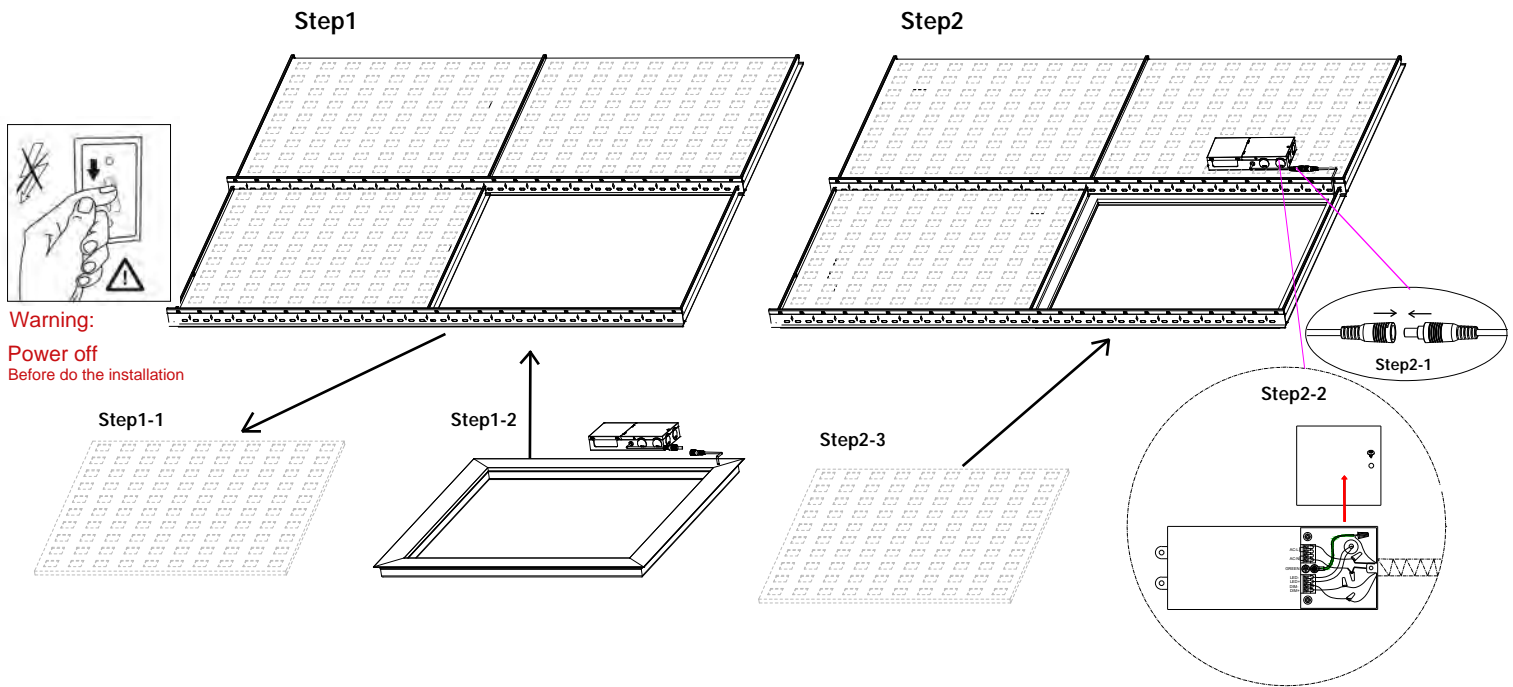
PARAMETER

Length	Model	Certification	CRI	Power adjustable & CCT Tunable		Lumens	Packing/carton	G.W./carton
				Wattage	CCT Tunable			
2*2FT	ZS-FL2*2-K40-3065	ETL/cETLus,DLC	>80	20/30/40W	3000/3500/4000/5000/6500K	2500-5000LM	650*290*650mm 6 pieces 1*40HQ Loading=3456pcs	8.7kg
1*4FT	ZS-FL1*4-K40-3065	ETL/cETLus,	>80	20/30/40W	3000/3500/4000/5000/6500K	2500-5000LM	1260*290*350mm 6 pieces 1*40HQ Loading=3040pcs	9.5kg
2*4FT	ZS-FL2*4-K60-3065	ETL/cETLus,DLC	>80	40/50/60W	3000/3500/4000/5000/6500K	5000-7500LM	1260*290*650mm 6 pieces 1*40HQ Loading=1728pcs	11.5kg

MOUNTING GUIDES



INSTALLATION INSTRUCTION



Step 1: Make sure of all the power is off before installing. Remove the one ceiling tile that you need to install light fixture on. Then place the light fixture on the T-bar carefully and make sure it is correctly in place and secure.

Step 2: Lift the 4 buckles on the back of the panel up by 90° then bend the top part of the buckles 90° towards the direction where you can anchor the light fixture to the T-bar.

Step 3: Place the driver on top of the lighting fixture in the back. Connect the cable between the driver and the lighting fixture. Open the driver's junction box and connect the AC wire to the driver correctly (L=black & N=white)

Notice:

1. Please make sure the power is off before installation (this installation can only be done by certified electricians).
2. Adjust the wattage and kelvin to your desired setting on the driver.
3. Product rated voltage is 100-277 Volts. Please make sure voltage range meets the requirements
4. please don't use chemicals to clean the lighting surface.