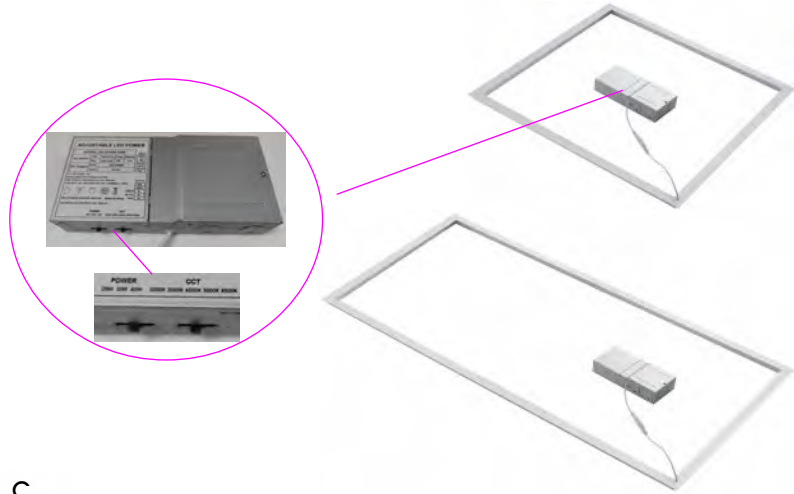
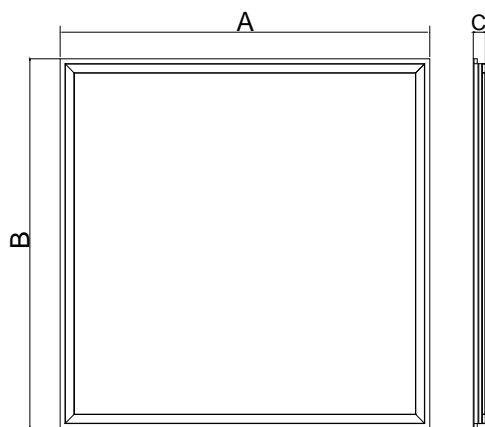


# SPECIFICATION

## T-LED EDGE LIGHT



Maximum overall	A	B	C
2*2ft	603mm	603mm	15mm
1*4ft	1213mm	303mm	15mm
2*4ft	1213mm	603mm	15mm



## FEATURES

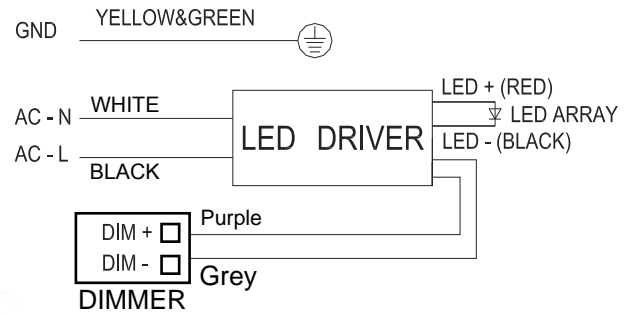
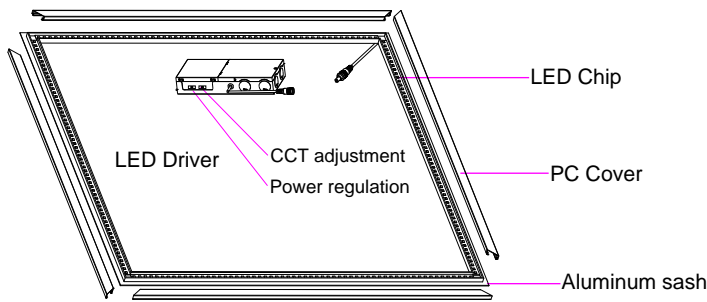
Input voltage:	AC100-277V
Operating frequency:	50/60Hz
Power factor:	> 0.95
Ambient temperature range:	-20°C ~+45°C
Color Temp:	3000-6500K
Dimmable:	0-10V dimming
THD:	≤10%
IP Rating:	IP40
CRI:	>Ra80
Beam angle:	120°

- Luminous Flux: >130m/w
- Housing material: 6063-T5
- 5 years' warranty

## PARAMETER

Length	Model	Certification	CRI	Description		Function	Lumens 3000-6500K	GW
				Wattage	CCT Tunable			
2*2FT	ZS-FL2*2-K40-3065	ETL/cETLus,DLC	>80	20/30/40W	3000/3500/4000/5000/6500K	0-10V dimming CCT Tunable & Power adjustable	2600-5200LM	1pcs =2.38 lb 1carton(6pcs)=14.3 lb
1*4FT	ZS-FL1*4-K40-3065	ETL/cETLus,	>80	20/30/40W	3000/3500/4000/5000/6500K	0-10V dimming CCT Tunable & Power adjustable	2600-5200LM	1pcs =2.57 lb 1carton(6pcs)=15.4 lb
2*4FT	ZS-FL2*4-K60-3065	ETL/cETLus,DLC	>80	40/50/60W	3000/3500/4000/5000/6500K	0-10V dimming CCT Tunable & Power adjustable	5200-7800LM	1pcs =3 lb 1carton(6pcs)=18 lb

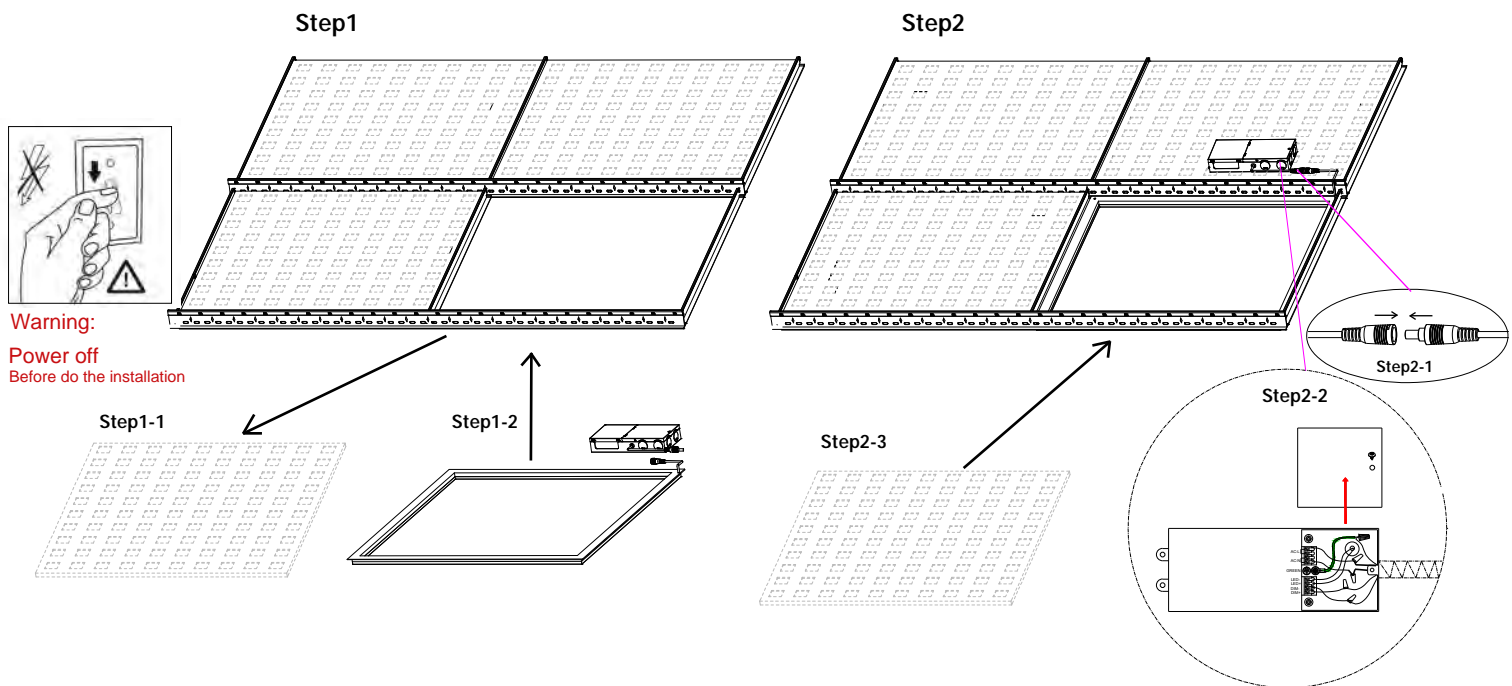
# MOUNTING GUIDES



## Electric Shock Attention

Ensure the power supply has been cut off before connecting the wire, and all wiring and installation of this product are required to be operated by professionals.

## INSTALLATION INSTRUCTION



**Step 1:** Make sure of all the power is off before installing. Remove the one ceiling tile that you need to install light fixture on. Then place the light fixture on the T-bar carefully and make sure it is correctly in place and secure.

**Step 2:** Lift the 4 buckles on the back of the panel up by 90° then bend the top part of the buckles 90° towards the direction where you can anchor the light fixture to the T-bar.

**Step 3:** Place the driver on top of the lighting fixture in the back. Connect the cable between the driver and the lighting fixture. Open the driver's junction box and connect the AC wire to the driver correctly (L=black & N=white)

### Notice:

1. Please make sure the power is off before installation (this installation can only be done by certified electricians).
2. Adjust the wattage and kelvin to your desired setting on the driver.
3. Product rated voltage is 100-277 Volts. Please make sure voltage range meets the requirements
4. please don't use chemicals to clean the lighting surface.