



**AM**



**YM**



**AM3**



**FM**

P/N: AST-FL19-100WBH8DA1-abcdeg

Note:

AST = Company name

FL19 = Product series, LED Flood Light

100W = Rating Power

B = LED manufacturer, Lumileds 2835

H8= Diffuser light angle type,7H7V

D = Double color temperature

A1 = Version number

“a” can be any two letters for lamp colors;

“b” can be “P” or blank for photocontrol type provided or not;

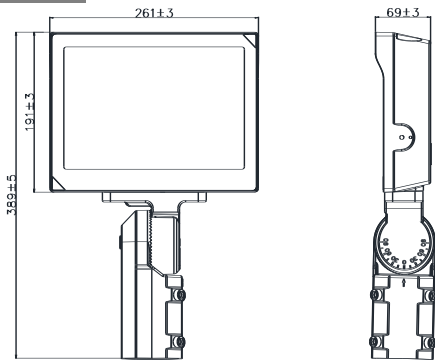
“c” can be “10SP”, “20SP” or blank for Surge protector type provided or not;

“d” can be “M” or blank for sensor type provided or not;

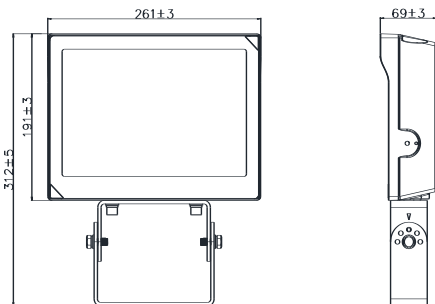
“e” can be “AM”, “AM2”, “AM3”, “DM”, “YM”, “A&DM”, “AF1”, “AF2” or “FM”, for bracket type;

“g” can be any numbers for CCT.30/40/50=3000K/4000K/5000K

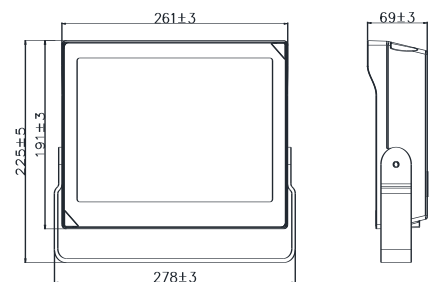
## DIMENSIONS



**AM**



**YM**



**FM**

## ADVANTAGE

- UL cUL DLC-V5.1(Premium) certificate.
- IP65 driver, input voltage 120-277VAC
- No UV or IR in the beam.
- Easy to install and operate.
- Energy saving, long lifespan.
- Light is soft and uniform, safe to eyes.
- Instant start, NO flickering, NO humming.
- Green and eco-friendly without mercury.

## APPLICATION

- Outdoor basketball court, tennis court.
- Badminton court, the football field.
- The school playground, stadium.
- Community leisure entertainment plaza,
- Warehouse, factory and workshops;
- Highway toll station;
- Meeting room, exhibition hall;
- Gymnasium and supermarkets, etc. plaza

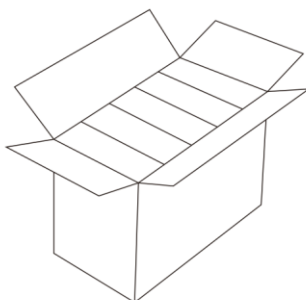
**SPECIFICATIONS**

<b>OPTICAL</b>	Input Power (Tolerance : $\pm 10\%$ )	100W		
	Color Temperature (Color Tunable)	3000K	4000K	5000K
	Lumen (Tolerance : $\pm 10\%$ )	12500 LM	14000 LM	13500LM
	Efficacy (Tolerance : $\pm 3\%$ )	125 LM/W	140 LM/W	135 LM/W
	CRI	>80		
	Color Consistency	<7 Steps (or <7 SDCM)		
	BUG	B3-U0-G1		
	Distribution Pattern	Clear Tempered Glass		
	Beam Angle (10%) (Tolerance : $\pm 15\%$ )	115*100		
<b>ELECTRICAL</b>	Input Voltage and Frequency	120-277VAC,50/60Hz		
	PF (Tolerance : -3%)	$\geq 0.9$		
	THD (Tolerance : +5%)	$\leq 20\%$		
	Flicker Percent	<55%		
	Driver Brand	BECKY		
	Driver Model	BQE120A-130-PVF-PS		
	Driver Surge protection	L/N-PE: 2.0kV, L-N: 2.0kV		
	Dimming	0-10V dimming standard		
	Optional Accessory	Surge protector Photocontrol		
<b>MATERIALS</b>	LED Brand	Lumileds		
	LED Type	SMD2835		
	LED QTY	165*2 PCS		
	Housing	Die-cast aluminum		
	Housing Color	Brown, Black, or Customized		
	EPA	0.6 ft <sup>2</sup>		
	Waterproof Rating	WET (IP65)		
<b>OTHERS</b>	Operating Temperature	-30°C TO 50°C		
	Storage Temperature	-40°C TO 80°C		
	Operating Humidity	20% - 90% RH		
	Storage Humidity	10% - 95% RH		
	Warranty	5 years warranty		

**PACKAGE**

Bracket Type	Carton Size	Qty / Carton	Net Weight / pcs	Gross Weight / Carton
AM	495*320*470mm	5 PCS	4KG	21.1KG
YM	445*375*328mm	5 PCS	3.4KG	18KG
FM	445*335*295mm	5 PCS	3.1KG	16.5KG

Tolerance of Carton Size:  $\pm 15$  MM, Tolerance of Weight:  $\pm 10\%$ .



## LIGHT DISTRIBUTION TESTING PARAMETERS

### Luminaire Property

Luminaire Manufacturer:

Luminaire Category: LED Flood Light

Lamp Catalog: 7H7V

Number of Lamps: 330 pcs

Luminous Length (mm): 226 mm

Luminous Height (mm):

Current: 0.840 A

Power Factor: 0.995

Luminaire Description: FL19

Lamp Description: Lumileds 2835

Lumens per Lamp: 13428.5 lm

Luminous Width (mm): 146 mm

Voltage: 120.0 V

Power: 100.37 W

### Photometric Results

IES Classification: Type II

Total Rated Lamp Lumens: 13428.5 lm

Efficiency: 100%

Upward Ratio: 0%

C0r0 Intensity: 5186.16 cd

Pos of Max. Intensity: H135 V4

Beam Angle(C0/C180,C90/C270,C45/C225,C135/315): 111.1, 104.4, 113.1, 112.3

Longitudinal Classification: Very Short

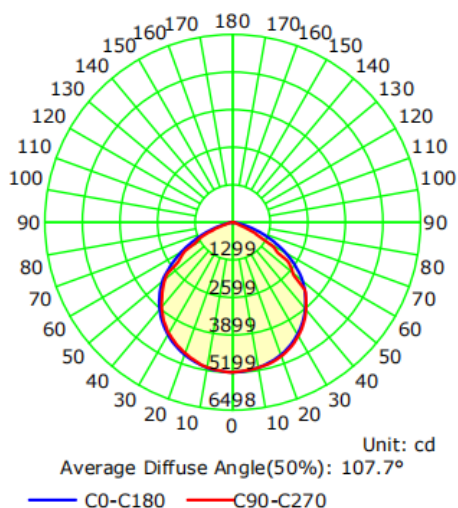
Measurement Flux: 13428.5 lm

Downward Ratio: 100%

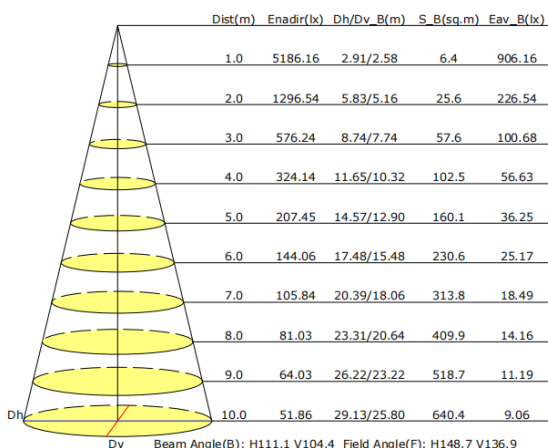
Luminaire Efficacy Rating (LER): 133.84

Max. Intensity: 5199.01 cd

Luminous Intensity Distribution Curve



Illuminance at a Distance



### NOTICE FOR USER

- Please turn off power before install or change assembly parts.
- The input voltage and luminaire should be matched, after connecting the power line, Please make sure the wiring section is insulated.
- No-professionals, must not install and disassemble the luminaire.

### TROUBLE SHOOTINGS

Troubles	Check points
Flickering of the light	Turn off the power and turn on again in 3 minutes. If same phenomena occur, then call agencies.
Out of working	Please check the connection.