



P/N: AST-CLW16-020WXYZA1-acK

Note:

AST = Company name

CLW16 = Product series, LED Corn Lamp

020W = Rating Power

X = can be any letter for LED manufactory.

Y = can be "F" or "C" for diffuser types (F=frosted type, C=clear type).

Z= can be "D" or "S" for CCT tunable or single CCT provided.

A1 = Version number

a = can be blank for lamp base type (BLANK for E26).

ck= an be XX/YY/ZZK for CCT (XX, YY, ZZ can be any two digits or blank).

DIMENSIONS

E26



ADVANTAGE

- UL cUL certificate.
- E26/E39/EX39 lamp base.
- Lumileds Chip, high CRI.
- Internal driver, input voltage 120-277VAC.
- Meet 4kV surge immunity level.
- Direct replacement for Metal Halide, easy installation.
- Fits many different fixtures to replace traditional lamps.
- Two dimming options are available, continuous dimming or segmented dimmer
- Long lifespan and good heat dissipation .

NOTICE FOR USER

- Please turn off power before install or change assembly parts.
- The input voltage and lamps should be matched.
- No-professionals, must not install and disassemble the lamps.
- Suitable for damp locations. Do not use with dimmers.
- Make sure to remove or bypass the ballast in the fixtures before install the lamps.
- Suitable for use in enclosed luminaires, min. Luminaires compartment dimensions: 420*210*210 MM.

APPLICATION

- Replacement Lamps for Outdoor
- Pole/Arm-mounted Decorative Luminaires(Type B)

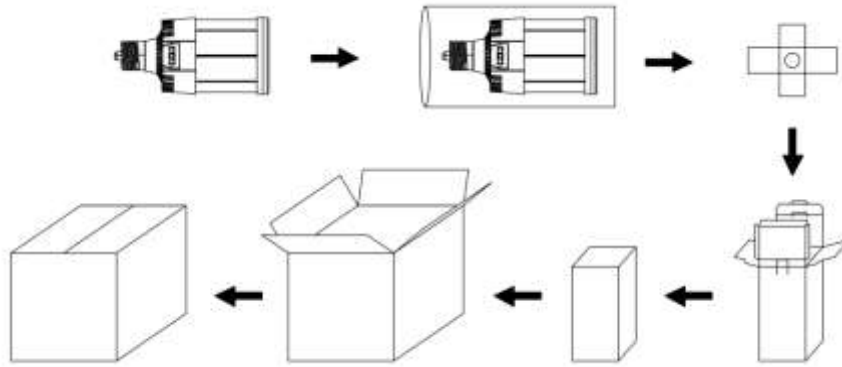
SPECIFICATIONS

OPTICAL	Input Power (Tolerance : $\pm 10\%$)	20W(10W/15W/20W via switch)		
	Color Temperature (Color Tunable)	3000K	4000K	5000K
	Lumen (Tolerance : $\pm 10\%$)	2600LM	3000LM	2800M
	Efficacy (Tolerance : $\pm 3\%$)	135LM/W	152LM/W	140M/W
	CRI	>80		
	Color Consistency	<7 Steps (or <7 SDCM)		
	Diffuser Type	Clear Cover		
	Beam Angle (50%) (Tolerance : $\pm 10\%$)	280Degree		
ELECTRICAL	Input Voltage and Frequency	120-277V AC, 50/60Hz		
	PF (Tolerance : -3%)	≥ 0.9		
	THD (Tolerance : +5%)	$\leq 20\%$		
	Flicker Percent	<30%		
	Driver Surge protection	L-N: 4kV		
	Dimmable	0-10V dimming standard (through manual knob on the lamp)		
	Sensor Type	No Sensor		
	Optional Accessory	No Sensor		
	Equivalent	42W CFL, 70W MHL/HPS/HID		
MATERIALS	LED Brand	Lumileds		
	LED Type	SMD2835		
	LED QTY	90 pcs of 3000K + 90 pcs of 5000K		
	Housing	PC + Aluminum		
	Housing Color	Any colors		
	Waterproof Rating	DAMP		
OTHERS	Operating Temperature	-40°C TO 50°C		
	Storage Temperature	-40°C TO 80°C		
	Operating Humidity	20% - 70% RH		
	Storage Humidity	10% - 75% RH		
	Warranty	5 years		

PACKAGE

	Carton Size	Qty /	Net Weight / Carton	Gross Weight / Carton
Inner Carton	75*75*180 MM/2.95*2.95*7IN	1 PC	0.21 KG/0.46lb	0.23KG/0.507lb
Outer Carton	395*320*195 MM/15.6*12.6*7.7IN	20PCS	2.8KG/6.17lb	4KG/8.8lb

Tolerance of Outer Carton Size: ± 15 MM/ ± 0.59 IN, Tolerance of Weight: $\pm 10\%$.



LIGHT DISTRIBUTION TESTING PARAMETERS < Clear PC >

Remark: The testing data comes directly from the product test.

Luminaire Property

Luminaire Manufacturer:
 Voltage: 120.5 V
 Power: 18.73 W

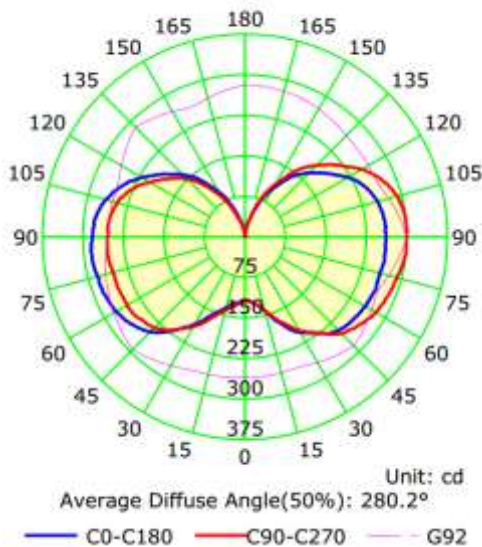
Current: 0.156 A
 Power Factor: 0.995

Photometric Results

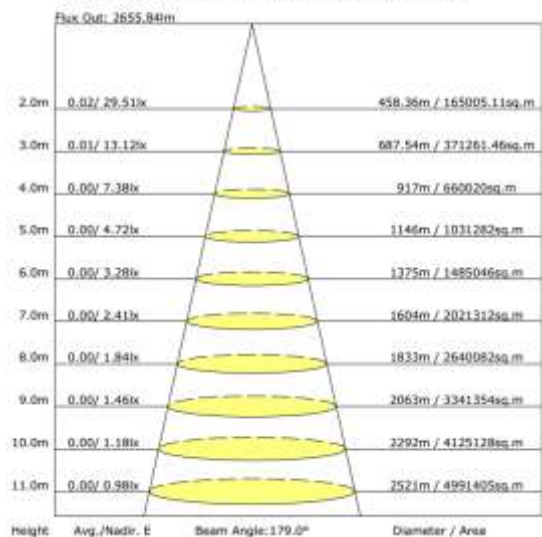
CIE Class: General Diffuse
 Measurement Flux: 2766.4 lm
 Downward Ratio: 55%
 Horizontal Diffuse Angle(10%,50%): H332.8,H284.3
 Vertical Diffuse Angle(10%,50%): V331.6,V283.7
 Luminaire Efficacy Rating (LER): 147.75
 Max. Intensity: 300.22 cd
 S/MH(C0/C180): 2.59

Total Rated Lamp Lumens: 2766.4 lm
 Efficiency: 100%
 Upward Ratio: 45%
 Central Intensity: 118.04 cd
 Pos of Max. Intensity: H90 V92
 S/MH(C90/C270): 2.58

Luminous Intensity Distribution Curve



The Average Illuminance Effective Figure



TROUBLE SHOOTINGS

Troubles	Check points
Flickering of the light	Turn off the power and turn on again in 3 minutes. If same phenomena occur, then call agencies.
Out of working	Please check the connection.