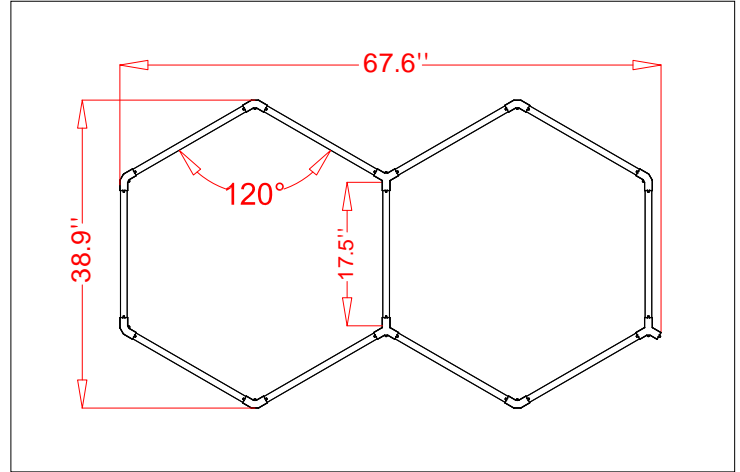


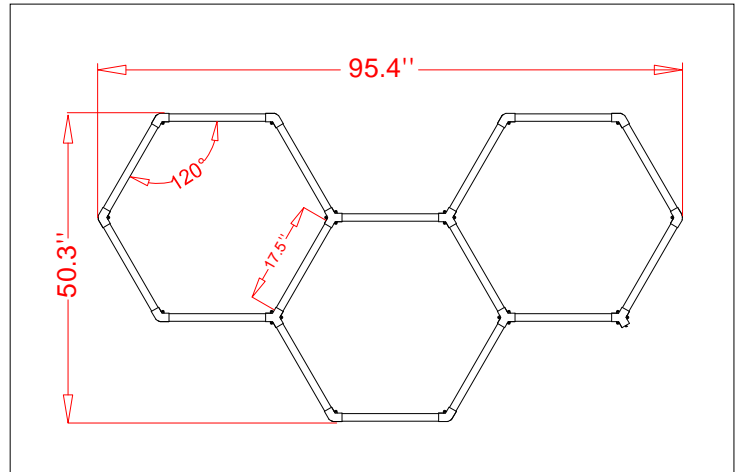
# Led Hexagon Light

Integrated T8 linked with internal driver, Surface mounted: Car Garage, Auto Beauty shop, Gym Basement



## Specification Parameter

Item No	Description	Material	Package Incl.	Power	Notes
ZS-2HEXS	Size: 38.9" x 67.6" Design: 2hexs Input: AC100-277V Tube width: 31mm LM: 120-130lm/w CRI: >80 CCT: 6500k 5 years warranty	Full PC Housing Aluminum PCB inside IP44 for Car workshop	17.5"(440mm): 11pcs	17.5"(440mm): 8w/pc Total Power <b>88W</b>	All mounting accessories and power cord included.  List -120°V Connector 7PCS -120°Y Connector 3PCS -Zip ties 15pcs -Anchoring and screws 15pcs -Nuts 4pcs -1.5Ft power cord 1pcs -5Ft power cord with plug 1pcs



## Specification Parameter

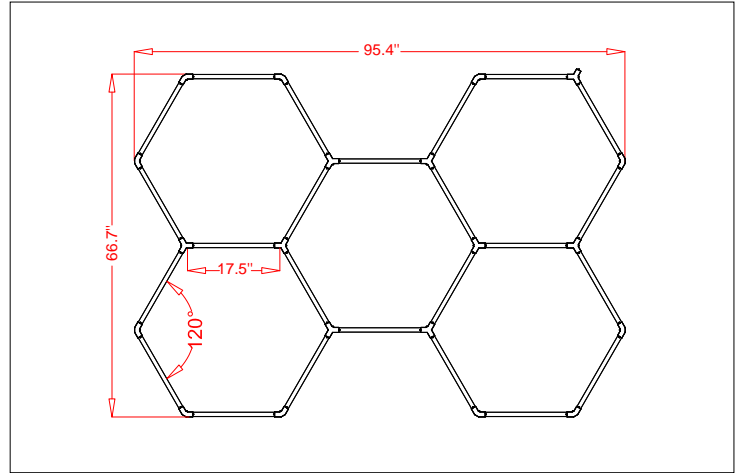
Item No	Description	Material	Package Incl.	Power	Notes
ZS-3HEXS	Size: 50.3" x 95.4" Design: 3hexs Input: AC100-277V Tube width: 31mm LM: 120-130lm/w CRI: >80 CCT: 6500k 5 years warranty	Full PC Housing Aluminum PCB inside IP44 for Car workshop	17.5"(440mm): 16pcs	17.5"(440mm): 8w/pc Total Power <b>128W</b>	All mounting accessories and power cord included.  List -120°V Connector 9PCS -120°Y Connector 5PCS -Zip ties 24pcs -Anchoring and screws 24pcs -Nuts 4pcs -1.5Ft power cord 1pcs -5Ft power cord with plug 1pcs



120°Y Connector   120°V Connector   90°L Connector   360°X Connector   180°1 Connector   180°T Connector   Anchoring   Nuts   Screws   Zip Tie   1.5FT Power Cable   5Ft power cord with plug 1pcs

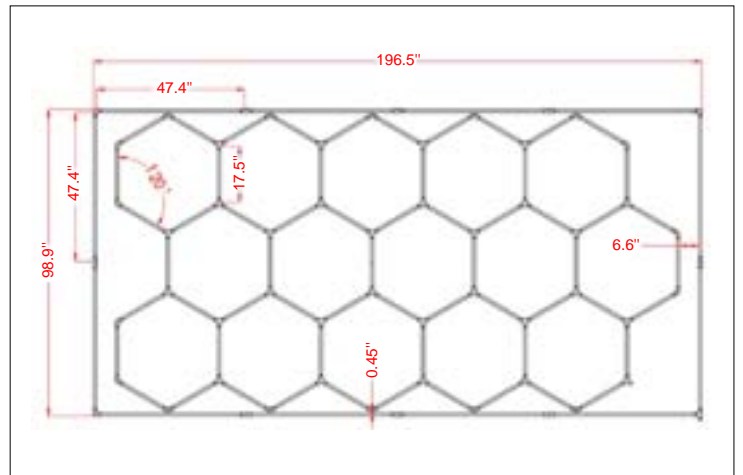
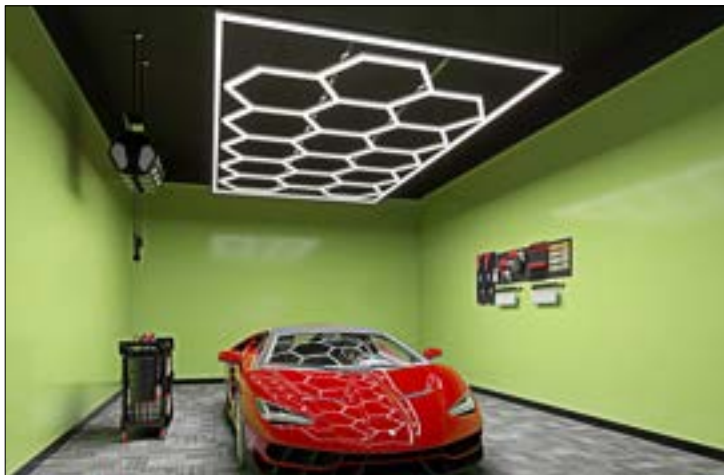
# Led Hexagon Light

Integrated T8 linked with internal driver, Surface mounted: Car Garage, Auto Beauty shop, Gym Basement



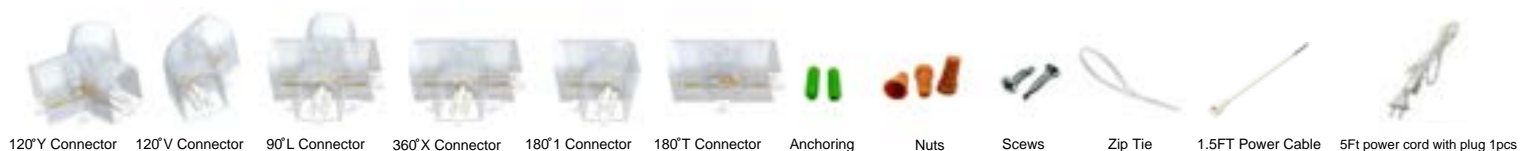
## Specification Parameter

Item No	Description	Material	Package Incl.	Power	Notes
ZS-5HEXS	Size: 50.3" x 95.4" Design: 3hexs Input: AC100-277V Tube width: 31mm LM: 120-130lm/w CRI: >80 CCT: 6500k 5 years warranty	Full PC Housing Aluminum PCB inside IP44 for Car workshop	17.5"(440mm): 24pcs	17.5"(440mm): 8w/pc Total Power <b>192W</b>	All mounting accessories and power cord included.  List -120°V Connector 12PCS -120°Y Connector 8PCS -Zip ties 30pcs -Anchoring and screws 30pcs -Nuts 4pcs -1.5Ft power cord 1pcs -5Ft power cord with plug 1pcs



## Specification Parameter

Item No	Description	Material	Package Incl.	Power	Notes
ZS-14HEXS-01	Size: 98.9" x 196.5" Design: 14hexs Input: AC100-277V Tube width: 31mm LM: 120-130lm/w CRI: >80 CCT: 6500k 5 years warranty	Full PC Housing Aluminum PCB inside IP44 for Car workshop	47"(1200mm): 12pcs 17.5"(440mm): 60pcs	47"(1200mm): 18w/pc 17.5"(440mm): 8w/pc Total Power <b>696W</b>	All mounting accessories and power cord included.  List: -120°V Connector 17PCS -120°Y Connector 29PCS -180°L Connector 8PCS -90°L Connector 3PCS -T Connector 1PCS -Zip ties 60pcs -Anchoring and screws 60pcs -Nuts 8pcs -1.5Ft power cord 2pcs -5Ft power cord with plug 2pcs



120°Y Connector   120°V Connector   90°L Connector   360°X Connector   180°L Connector   180°T Connector   Anchoring   Nuts   Screws   Zip Tie   1.5FT Power Cable   5FT power cord with plug 1pcs