



# SPECIFICATION

**MODEL:** DM3RGBF-DJ

IP67 CE RoHS  <sup>US</sup>  
E491448



## Feature

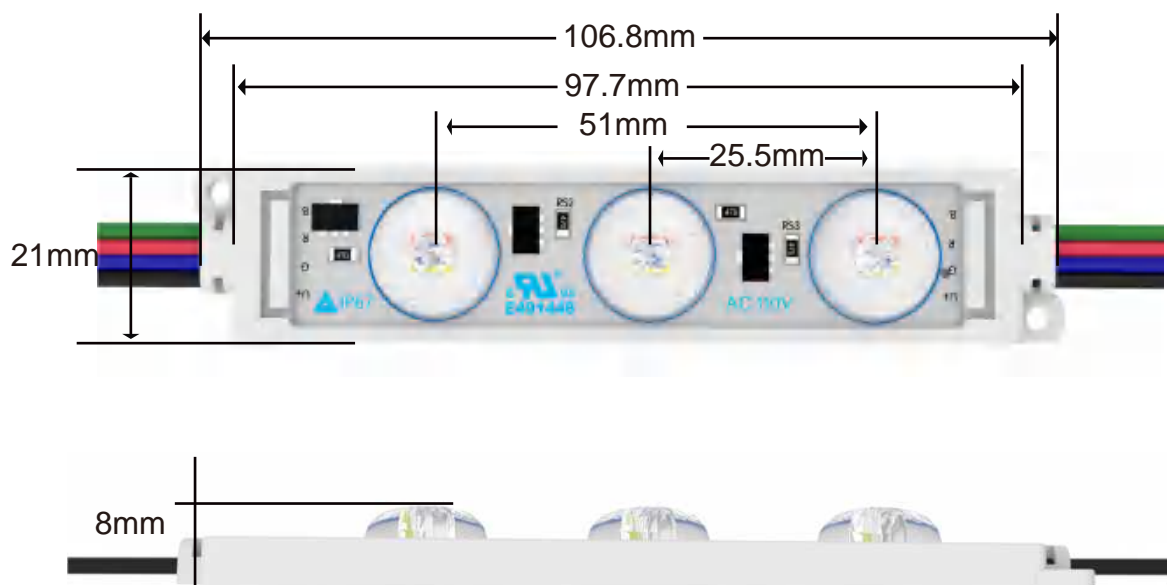
- ◆ AC110V/220V input directly
- ◆ No need driver
- ◆ Max 100pcs per string , without voltage drop, easy for installation
- ◆ High brightness ,save your cost
- ◆ CE ROHS UL certified
- ◆ 3 years warranty

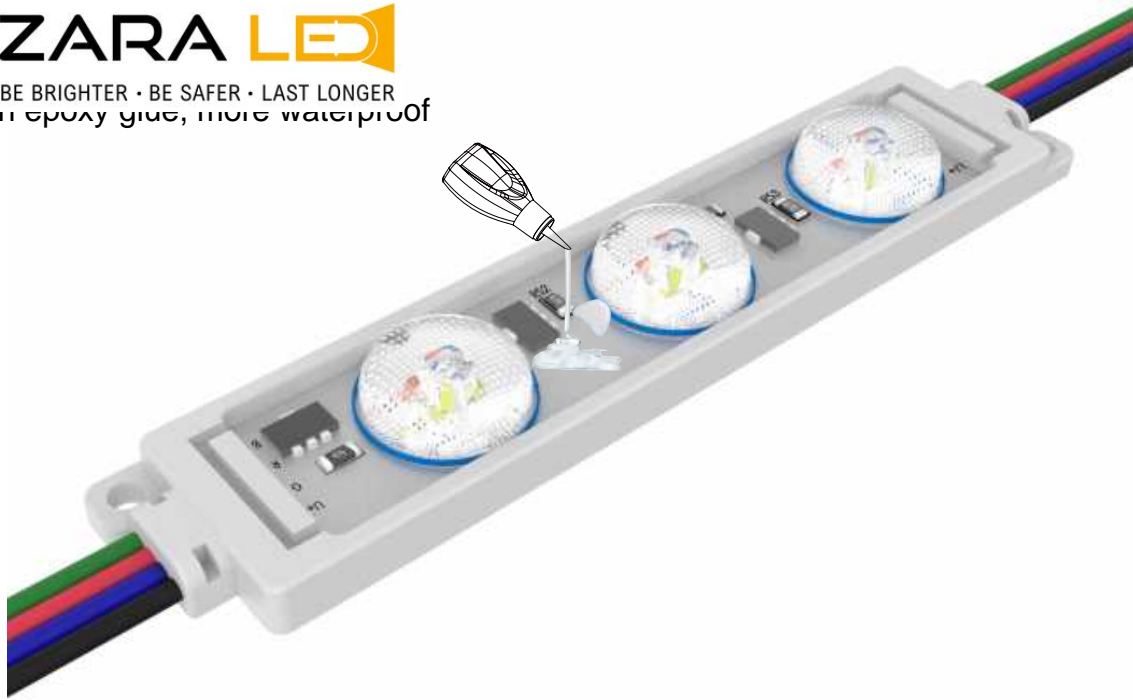
# Specification



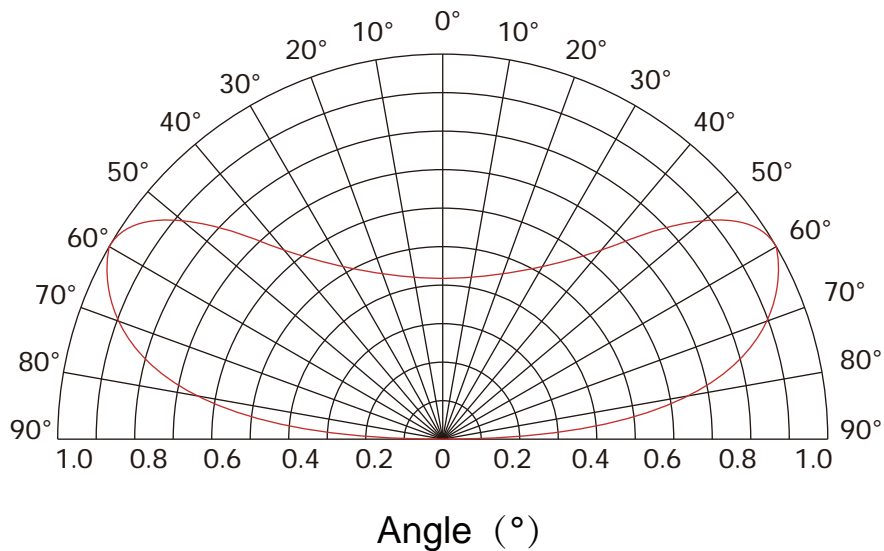
Item	Value	Unit
Model no	DM3RGBF-DJ	-
Power Dissipation	3W	Watt
Forward Voltage	110/220	VAC
Lumen	300lm	LM
Color	RGB	-
Viewing angle	160°	deg
Module Pitch	130	mm
Size	106.8x21x8	mm
Weight	19	g
Max in series	100	EA
Operating Temp	-20~60	°C
Waterproof	IP67	
Life Time	3 years	L80
Cable	UL, 24AWG 600V/105°C	

# Specification

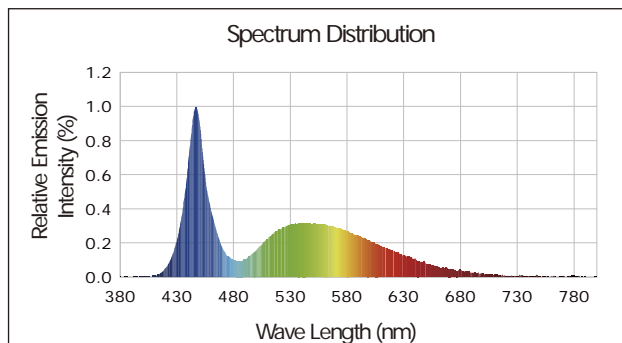
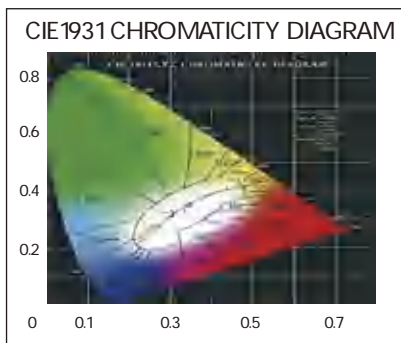




## Beaming Angle

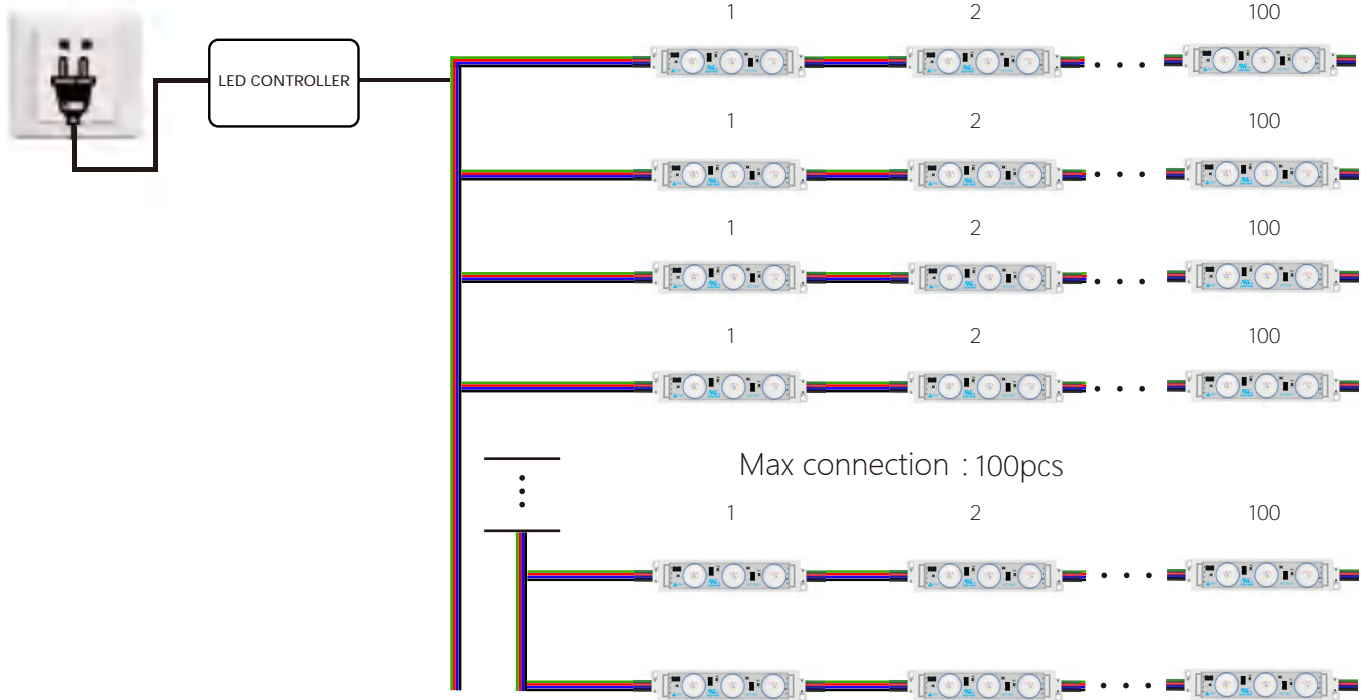


## CIE Colorimetric Parameters



# Connection Diagramm

AC 220V Input



# Packing



Every 100 pcs per string, every 1 string per box, every 8 boxes per carton  
 Carton size: 500×350×350mm  
 Net Weight: 0.025kg per pcs, 22kg per carton