



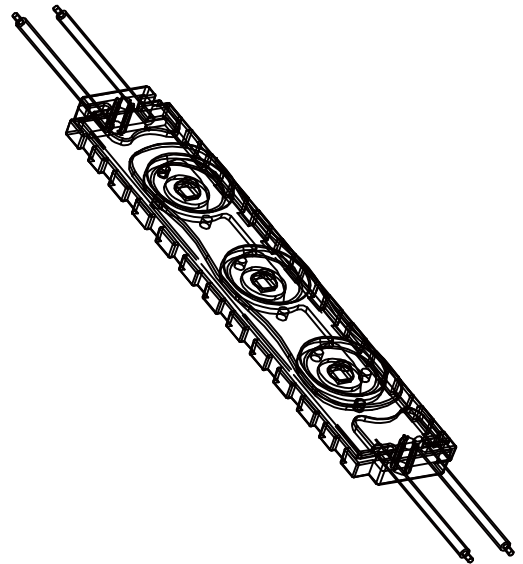
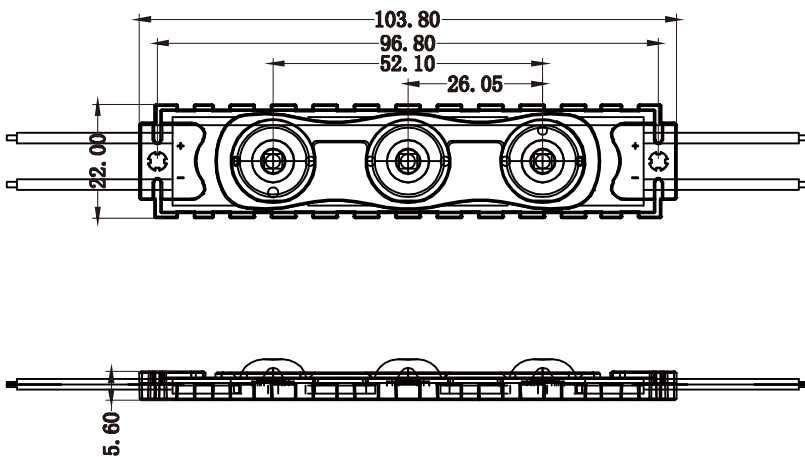
SPECIFICATION

MODEL: BD-FH3XF-HV

Product Image



Dimension



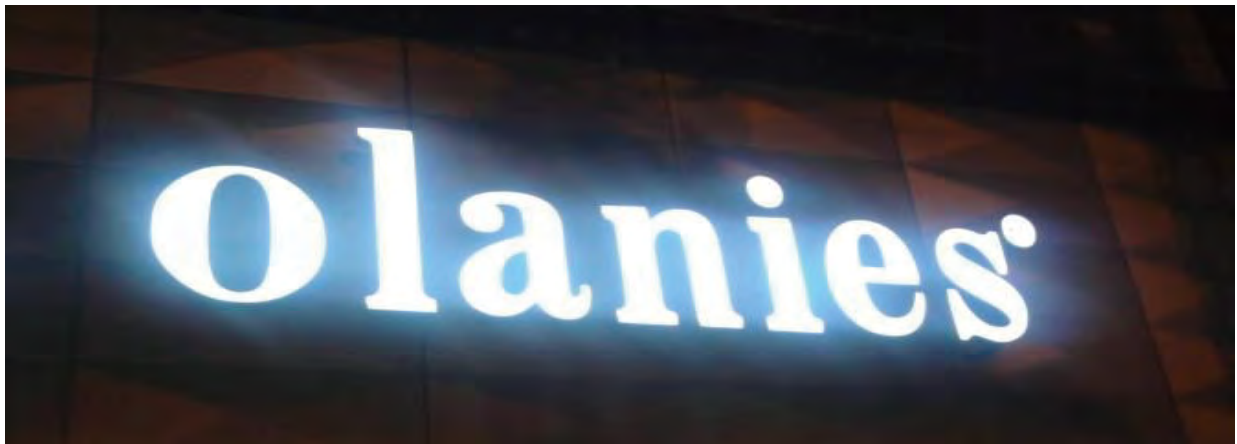
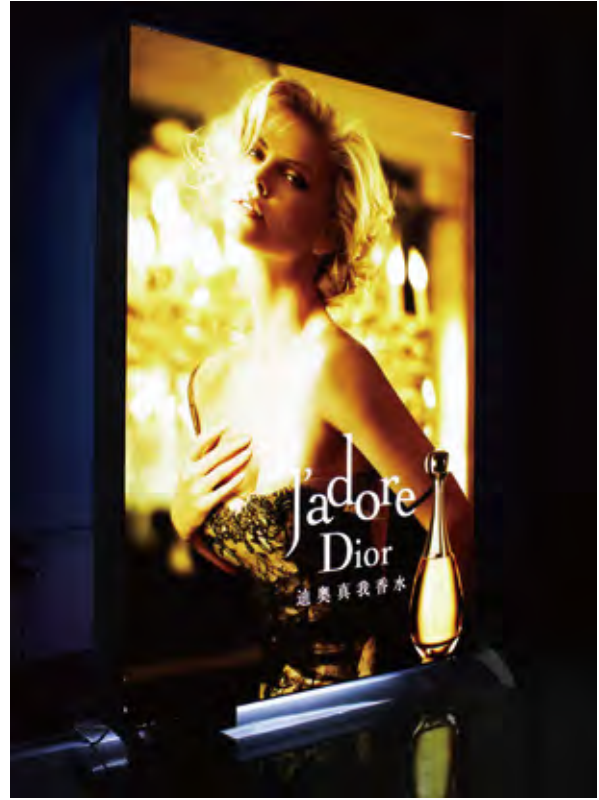
Specification



Item	Value	Unit
Model no	FH3XF-HV	-
Power Dissipation	3W	Watt
Forward Voltage	110/220	VAC
Lumen	390lm	LM
Color	White	-
CCT(K)	2700-20000	K
Viewing angle	160°	deg
Module Pitch	130	mm
Size	103x22x5.6	mm
Weight	19	g
Max in series	100	EA
Operating Temp	-20~60	°C
Waterproof	IP65	
Life Time	3 years	L70
Cable	UL, 24AWG 600V/105°C	

Application





Connection Diagramm

AC110/220V

AC110/220V

