

SPECIFICATION

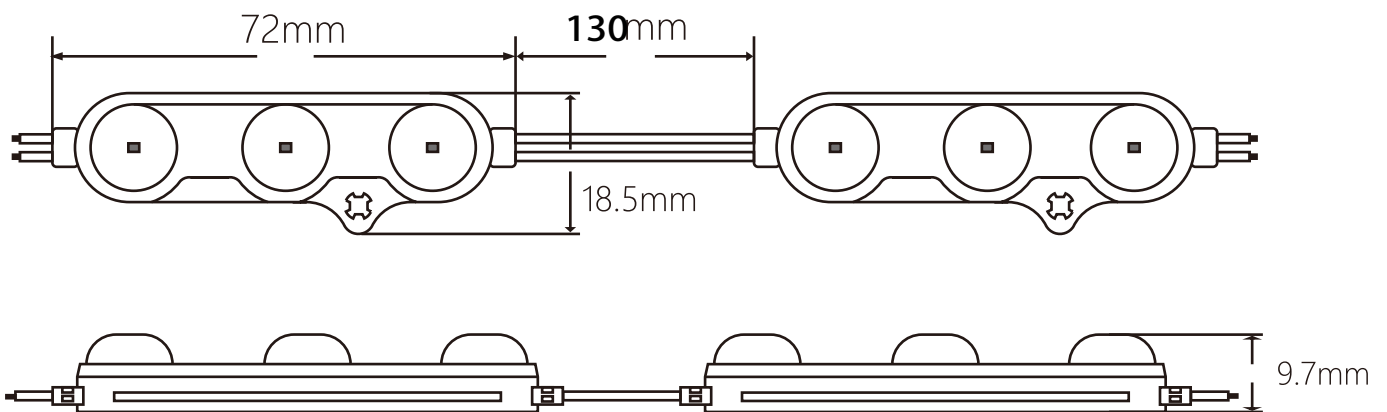
MODEL: BD-DM3XF



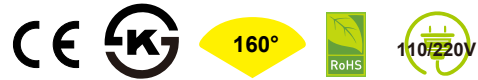
Product Image



Dimension



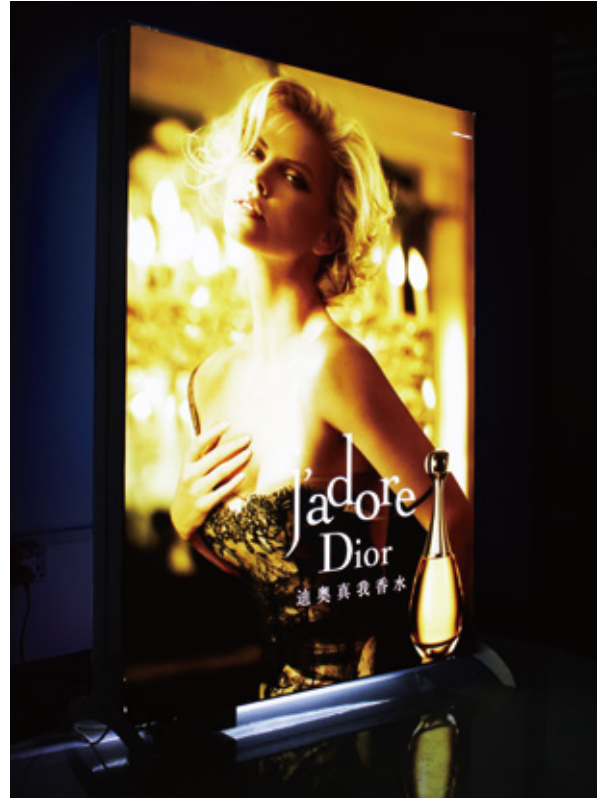
Specification



Item	Value	Unit
Model no	DM3XF	-
Power Dissipation	1.5W	Watt
Forward Voltage	110	VAC
Lumen	150lm	LM
Color	R G B WW PW CW	-
CCT(K)	2700-20000	K
Viewing angle	160°	deg
Module Pitch	13	mm
Size	75x18.5x9.7	mm
Weight	13	g
Max in series	100	EA
Operating Temp	-20~60	°C
Waterproof	IP67	
Life Time	50000hours	L70
Cable	UL, 24AWG 600V/105°C	

Application





Connection Diagramm

AC110V

AC110V

