

P/N:AST-RWP02B-120F1JYT1SA2-abdef

Note:

The letter "a" can be 2 letters represent lamp colors, "BH = Black, WH=White,BR=Bronze or Customized".

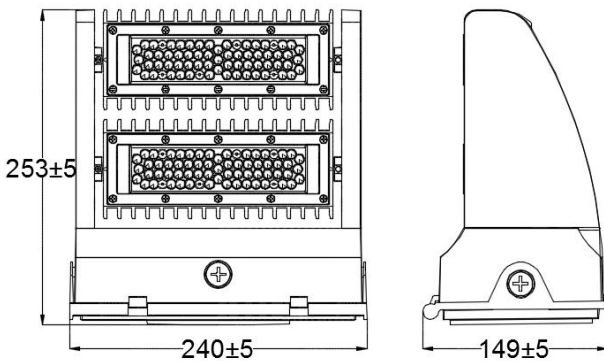
The letter "b" can be "P" for Photocontrol or blank for no control function, or "M" for motion sensor, "R" for 12V PIR control, "PM" for photocontrol+motion sensor, "PR" for photocontrol+PIR sensor;.

The letter "d" can be "S" or blank for Surge-Protective Device provided or not;

The letter "e" can be two digits to represent CCT, 30=3000K, 40=4000K, 45=4500K, 50=5000K, 57=5700K;

The letter "f" can be "F" for Auxiliary output 12V or empty for no Auxiliary output 12V.

## DIMENSIONS



## ADVANTAGE

- UL cUL DLC 5.1 premium certificate.
- Bridgelux 3030, high CRI.
- IP65 Internal driver.
- Input voltage 120-277VAC.
- 0-10V continuous dimming (min. dimming range < 10%)
- No UV or IR in the beam.
- Easy to install and operate.
- Energy saving, long lifespan.
- Light is soft and uniform, safe to eyes.
- Instant start, NO flickering, NO humming.
- Green and eco-friendly without mercury.

## APPLICATION

- Entrance lighting,courtyard lighting;
- Industrial lighting,Outdoor landscape lighting;
- Building,The hotel;
- Wall lighting area and so on.



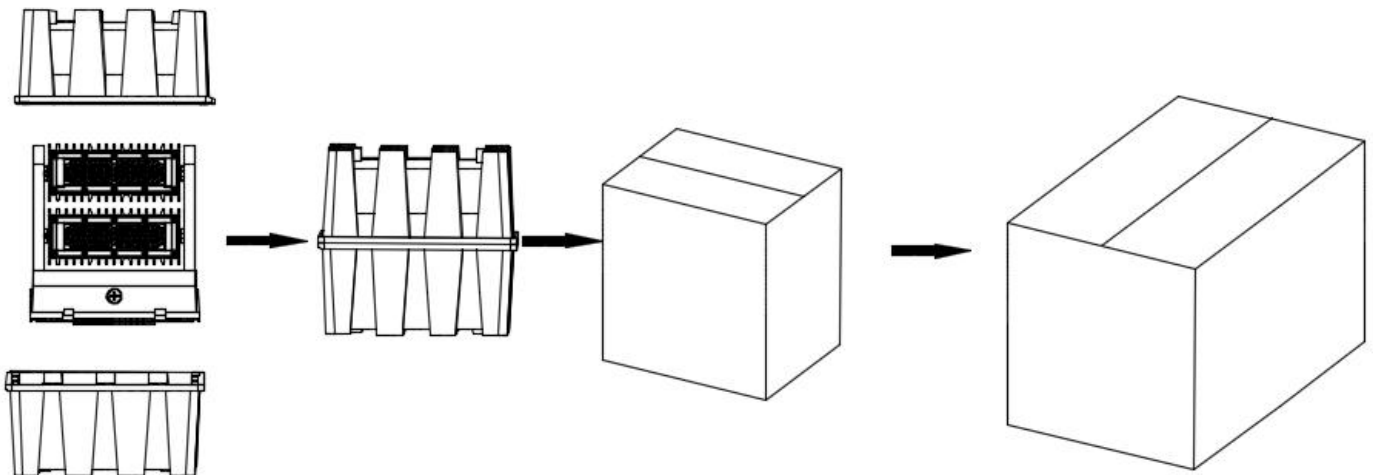
## SPECIFICATIONS

<b>OPTICAL</b>	Input Power (Tolerance : ±10%)	120W/100W/80W Adjustable					
	CCT	3000K	3500K	4000K	4500K	5000K	5700K
	Lumen (Tolerance : -10%)	15960LM	16080LM	16200LM	16320LM	16440LM	16680LM
	Efficacy (Tolerance : -3%)	133LM/W	134LM/W	135LM/W	136LM/W	137LM/W	139LM/W
	CRI	>70					
	Color Consistency	<6Steps (or <6SDCM)					
	BUG	B3-U1-G0					
Beam Angle (50%) (Tolerance : ±15%)	60 Degree						
<b>ELECTRICAL</b>	Input Voltage and Frequency	120-277VAC, 50/60Hz					
	PF (Tolerance : -3%)	≥0.9					
	THD (Tolerance : +5%)	≤20%					
	Flicker Percent	<50%					
	Driver Brand	Fahold					
	Driver Model	FD-150E-054B					
	Driver Surge protection	Differential mode:6KV.Common mode:10KV					
	Dimming	0-10V dimming standard					
Optional Accessory	Surge protector / Motion Sensor / PIR / Photocell /Auxiliary output 12V						
<b>MATERIALS</b>	LED Brand	Bridgelux					
	LED Type	SMD3030					
	LED QTY	126 PCS					
	Housing	Die-cast aluminum					
	Housing Color	Bronze, Black, or Customized					
	Waterproof Rating	WET (IP65)					
<b>OTHERS</b>	Operating Temperature	-40°C TO 45°C;					
	Storage Temperature	10%-90% RH					
	Operating Humidity	-40°C TO 80°C					
	Storage Humidity	10%-95% RH					
	Warranty	5 years warranty with 24/7 operating hours Luminaire lifetime at 25°C.					

## PACKAGE

Bracket Type	Carton Size	Qty / Carton	Net Weight / Carton	Gross Weight / Carton
Outer box	415*310*320 MM	2 PCS	6.1 KG	7.2KG
Inner box	295*200*300MM	1PC	3.05KG	3.125KG

Tolerance of Carton Size: ±15 MM, Tolerance of Weight: ±10%.



**LIGHT DISTRIBUTION TESTING PARAMETERS**

**Luminaire Property**

Luminaire Manufacturer:  
Luminaire Category:  
Lamp Catalog:  
Number of Lamps:  
Luminous Length (mm):  
Luminous Height (mm):  
Current: 1.041 A  
Power Factor: 0.999

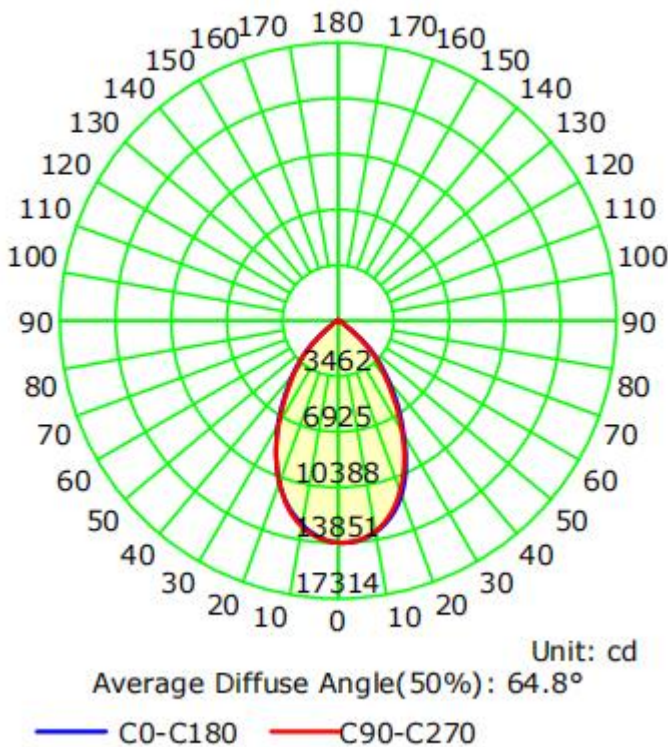
Luminaire Description:  
Lamp Description:  
Lumens per Lamp:  
Luminous Width (mm):  
Voltage: 120.0 V  
Power: 124.87 W

**Photometric Results**

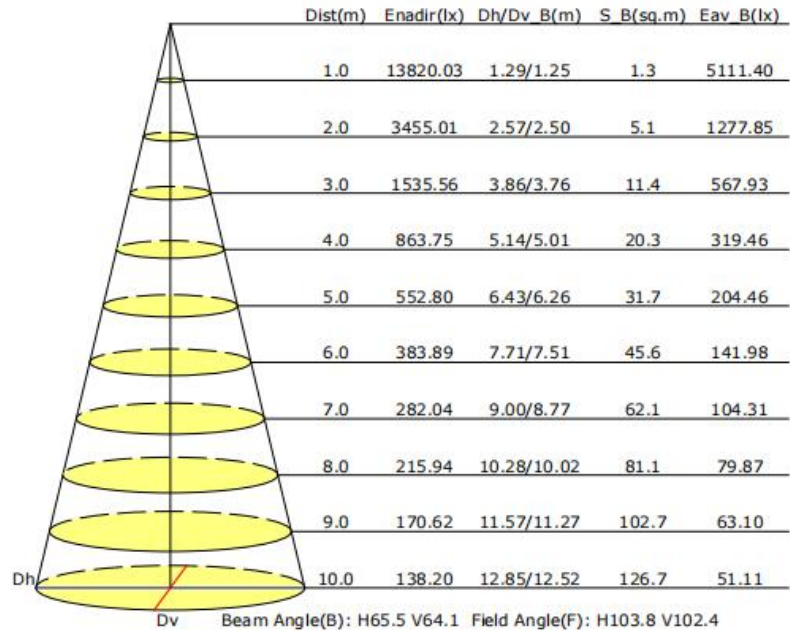
IES Classification: Type I  
Total Rated Lamp Lumens: 16686.5 lm  
Efficiency: 100%  
Upward Ratio: 0%  
C0r0 Intensity: 13820.03 cd  
Pos of Max. Intensity: H22.5 V3

Longitudinal Classification: Very Short  
Measurement Flux: 16686.5 lm  
Downward Ratio: 100%  
Luminaire Efficacy Rating (LER): 133.68  
Max. Intensity: 13851.37 cd

Luminous Intensity Distribution Curve



Illuminance at a Distance



## NOTICE FOR USER

- Please turn off power before install or change assembly parts.
- The input voltage and lamps should be matched, after connecting the power line, Please make sure the wiring section is insulated.
- No-professionals, must not install and disassemble the lamps.

## TROUBLE SHOOTINGS

Troubles	Check points
Flickering of the light	Turn off the power and turn on again in 3 minutes. If same phenomena occur, then call agencies.
Out of working	Please check the connection.

