

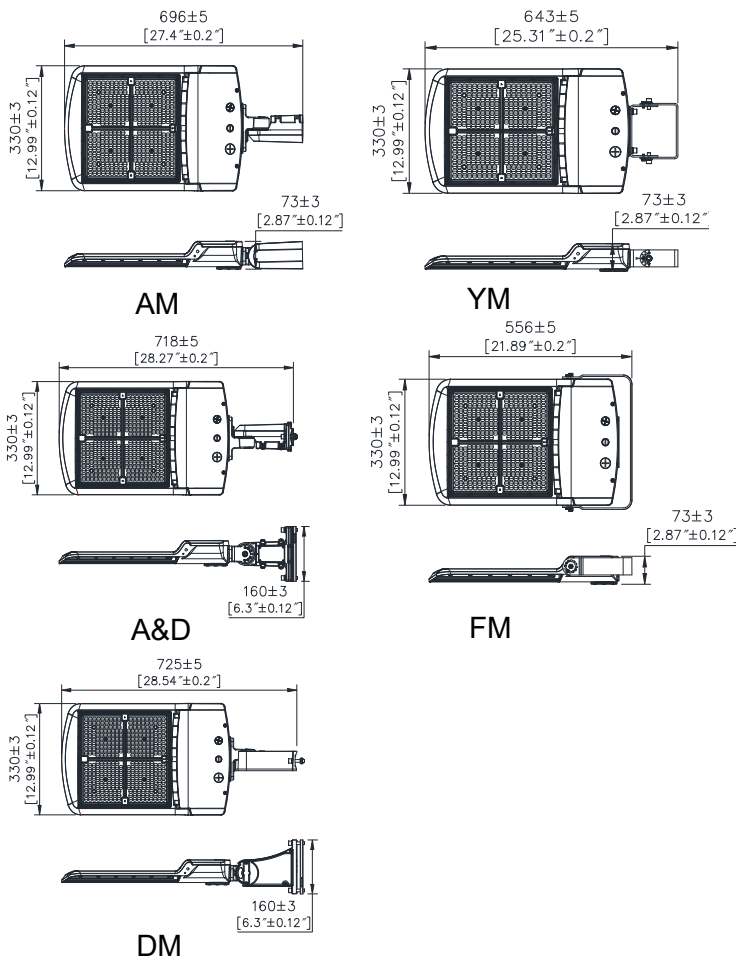


P/N: AST-S-G12C-300WBT3DA1-abcdefW

Note:

- AST = Company name
- S-G12C = Product series, LED Shoebox Light
- 300W = Rating Power
- B = LED manufacturer, Lumileds 2835
- T3 = Diffuser light angle type, TYPE III
- D=Color Tunable
- A1 = Version number
- "a" can be any two letters for lamp colors;
- "b" represent Photocell, which can be "3RP", "3NP", "5RP", "5NP", "7RP", "7NP" for Photocell type provided or blank for no Photocell provided.
- "c" can be "10SP", "20SP" or blank for Surge protector type provided or not;
- "d" can be "M", "DM", "DP" or blank for DC Motion Sensor, DC PIR Sensor provided or not
- "e" represent bracket, can be "AM", "DM", "YM", "A&D"

DIMENSIONS



ADVANTAGE

- UL cUL DLC certificate.
- Lumileds Chip, high CRI.
- Input voltage 120-277VAC.
- Output constant current lever can be adjusted through output cable with 0-10V.
- No UV or IR in the beam.
- Easy to install and operate.
- Energy saving, long lifespan.
- Light is soft and uniform, safe to eyes.
- Instant start, NO flickering, NO humming.
- Green and eco-friendly without mercury.

APPLICATION

- Outdoor basketball court, tennis court.
- BA&Dinton court, the football field.
- The school playground, stadium.
- Community leisure entertainment plaza, road luminaire etc.



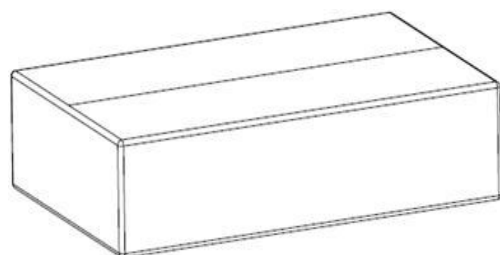
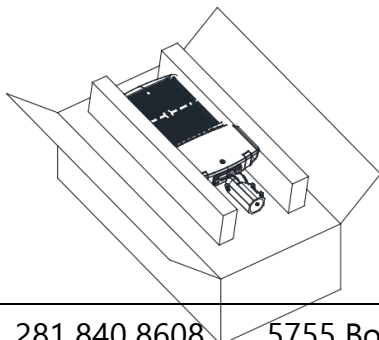
SPECIFICATIONS

OPTICAL	Input Power (Tolerance : ±10%)	300W(Wattage adjustable range 95%-30%)		
	Color Temperature(Color Tunable)	4000K	5000K	5700K
	Lumen (Tolerance : ±10%)	41100 LM	45900 LM	41400 LM
	Efficacy (Tolerance : ±3%)	137 LM/W	153 LM/W	138 LM/W
	CRI	>80		
	Color Consistency	<7 Steps (or <7 SDCM)		
	BUG	B5-U0-G5		
	Distribution Pattern	Type III		
	Beam Angle (50%) (Tolerance : ±15%)	150*90 Degree		
ELECTRICAL	Input Voltage and Frequency	120-277VAC, 50/60Hz		
	PF (Tolerance : -3%)	≥0.9		
	THD (Tolerance : +5%)	≤20%		
	Flicker Percent	<5%		
	Driver Brand	SOSEN		
	Driver Model	SS-320NH-E260BH		
	Driver Surge protection	L/N- PE: 6kV, L-N: 6kV		
	Dimming	0-10V dimming standard		
	Sensor Type	Occupancy Sensor, Exterior Photocell, Integral Sensor Receptacle		
	Optional Accessory	Photocontrol, Surge-protective Device, Motion Sensor		
MATERIALS	LED Brand	Lumileds		
	LED Type	SMD2835		
	LED QTY	364*2 PCS		
	Housing	Die-cast aluminum		
	Housing Color	Bronze, Black, or Customized		
	Waterproof Rating	WET (IP65)		
OTHERS	Operating Temperature	Without Motion Sensor: -40°C TO 50°C; With Motion Sensor: -35°C TO 50°C		
	Storage Temperature	-40°C TO 80°C		
	Operating Humidity	20% - 90% RH		
	Storage Humidity	10% - 95% RH		
	Warranty	5 years		

PACKAGE

Stent Type	Lamps Net Weight	Size	Qty/ Carton	Weight/ Carton
AM	5.0Kg[11.0 LBS]	765*380*148mm[30.12*14.96*5.83 inch]	1	6.4Kg[14.08 LBS]
DM	5.2Kg[11.44 LBS]	765*380*148mm[30.12*14.96*5.83 inch]	1	6.6Kg[14.52 LBS]
YM	6.0Kg[13.2 LBS]	700*380*148mm[27.56*14.96*5.83 inch]	1	7.3Kg[16.06 LBS]
A&D	5.3Kg[11.66 LBS]	765*380*148mm[30.12*14.96*5.83 inch]	1	6.7Kg[14.74 LBS]
FM	5.9Kg[12.98 LBS]	700*380*148mm[27.56*14.96*5.83inch]	1	7.2Kg[15.84 LBS]

Tolerance of Carton Size: ±15 MM[±0.59inch], Tolerance of Weight: ±10%.



LIGHT DISTRIBUTION TESTING PARAMETERS

Luminaire Property

Luminaire Manufacturer:
Luminaire Category:
Lamp Catalog:
Number of Lamps:
Luminous Length (mm):
Luminous Height (mm):
Current: 2.568 A
Power Factor: 0.995

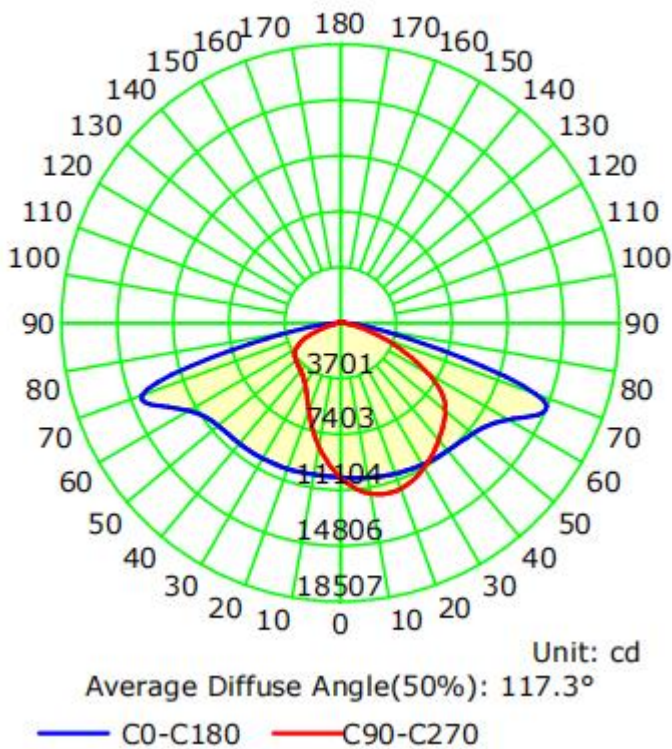
Luminaire Description:
Lamp Description:
Lumens per Lamp:
Luminous Width (mm):
Voltage: 120.0 V
Power: 306.56 W

Photometric Results

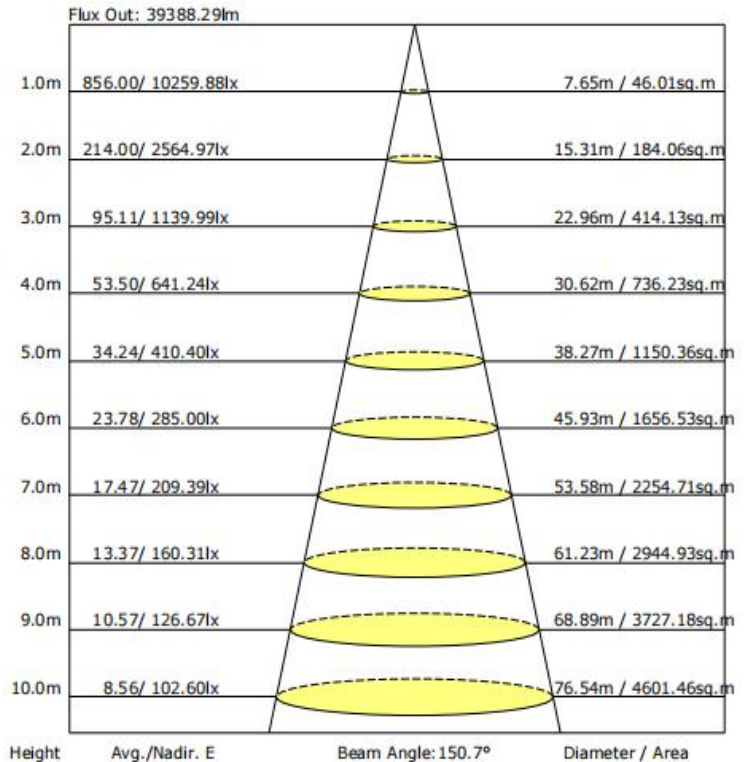
IES Classification: Type III
Total Rated Lamp Lumens: 42087.0 lm
Efficiency: 100%
Upward Ratio: 0%
C0r0 Intensity: 10259.88 cd
Pos of Max. Intensity: H0 V67
Beam Angle(C0/C180,C90/C270,C45/C225,C135/315): 150.7, 83.9, 113.6, 129.0

Longitudinal Classification: Medium
Measurement Flux: 42087 lm
Downward Ratio: 100%
Luminaire Efficacy Rating (LER): 137.34
Max. Intensity: 14806.34 cd

Luminous Intensity Distribution Curve



The Average Illuminance Effective Figure



NOTICE FOR USER

- Please turn off power before install or change assembly parts.
- The input voltage and lamps should be matched, after connecting the power line, Please make sure the wiring section is insulated.
- No-professionals, must not install and disassemble the lamps.

TROUBLE SHOOTINGS

Troubles	Check points
Flickering of the light	Turn off the power and turn on again in 3 minutes. If same phenomena occur, then call agencies.
Out of working	Please check the connection.

